

Model: RPSS-RT Retrofit Safety Screen for Installation at Top of Roof Curbs

Standard Construction:

Frame: Welded 14 ga. Galvanized steel. Safety Screen: 3/16" cold rolled Galv. steel rods welded in 6" x 6" grid pattern. All welds micro-sealed and prime painted after fabrication.

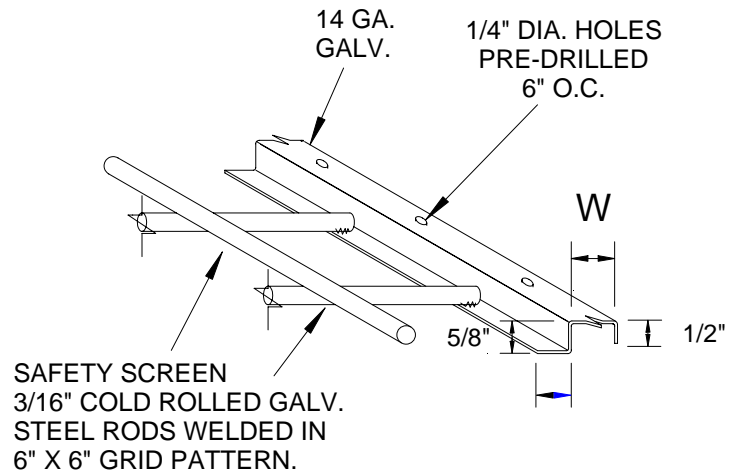
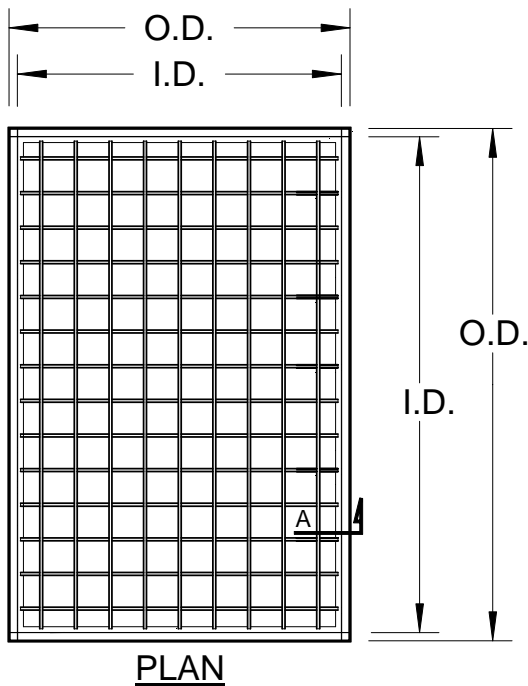
Added Options (When Required):

RPI Job #: -

Project: _____

Architect: _____

TO INSTALL ON TOP OF NEW OR EXISTING ROOF CURBS



SECTION - A (ISO)

Qty.	I.D.	O.D.	W	Tag: