

Model: RPC-3LSSB (Structural) Roof Curb w/Liner and Safety Screen at Bottom

Standard Construction:

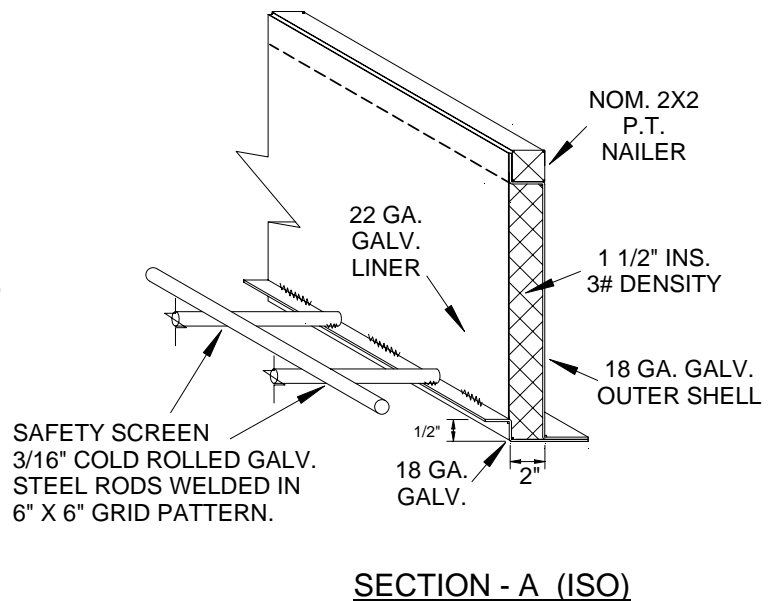
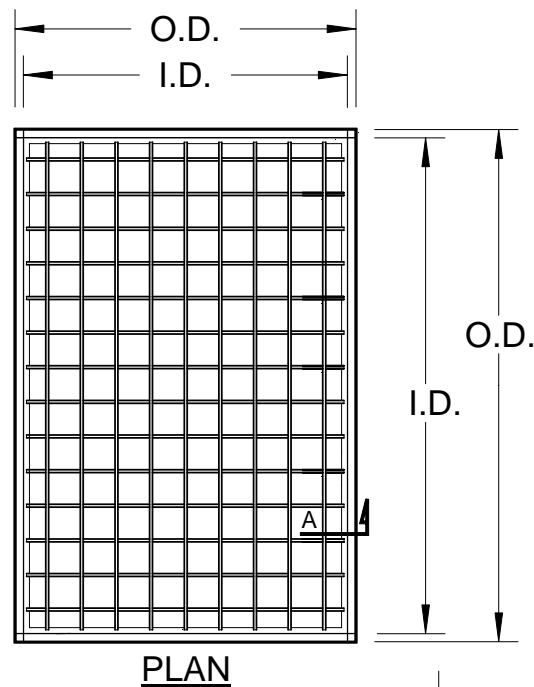
Roof Curb is: 18 ga. galvanized steel construction with 2 X 2 pressure-treated wood nailers. 1 1/2" thick 3# density rigid insulation. Internal vertical reinforcing. 2" mounting flange. 22 ga. galv. liner. Safety Screen: 3/16" cold rolled galv. steel rods welded in 6" x 6" grid pattern. All welds micro-sealed and prime painted after fabrication.

Added Options (When Required):

RPI Job #: -

Project: _____

Architect: _____



Qty.	I.D.	O.D.	T	Tag: