

## Model: RPC-3LSSO24 (Structural) Roof Curb w/Liner & OSHA Compliant Safety Screen

Standard Construction: (2" x 4" Grid Pattern)

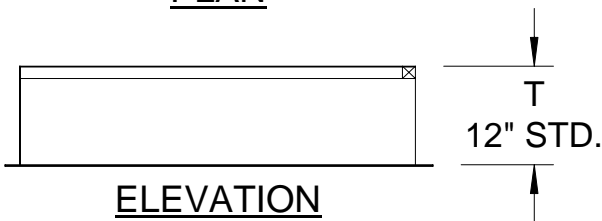
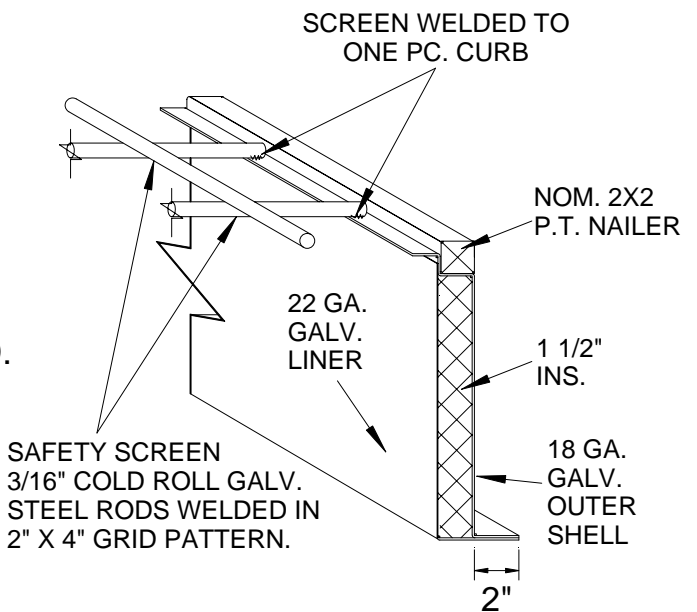
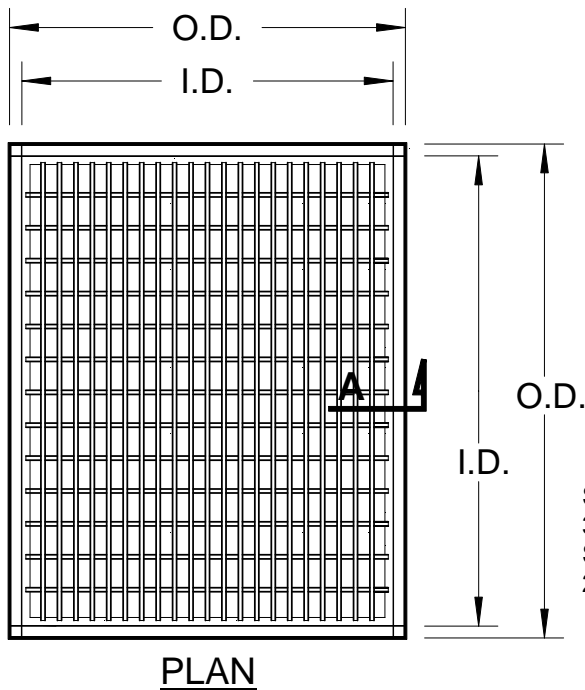
ROOF CURB: 18ga. Galvanized steel construction with 2 x 2 pressure-treated wood nailers. 1 1/2" thick 3# density rigid insulation. Internal reinforcing. 2" mounting flange. 22ga. Galvanized Liner. All welds micro-sealed and prime painted after fabrication. SAFETY SCREEN: 2" x 4" grid pattern, OSHA Compliant per 29 CFR ss1910.23 & ss1926.501.

Added Options (When Required):

RPI Job #: -

Project: \_\_\_\_\_

Architect: \_\_\_\_\_



ONE PIECE CONSTRUCTION

Qty.	I.D.	O.D.	T	Tag: