

Model: RPVP-3MP4L Vertical Pipe Curb & Cover

Standard Construction:

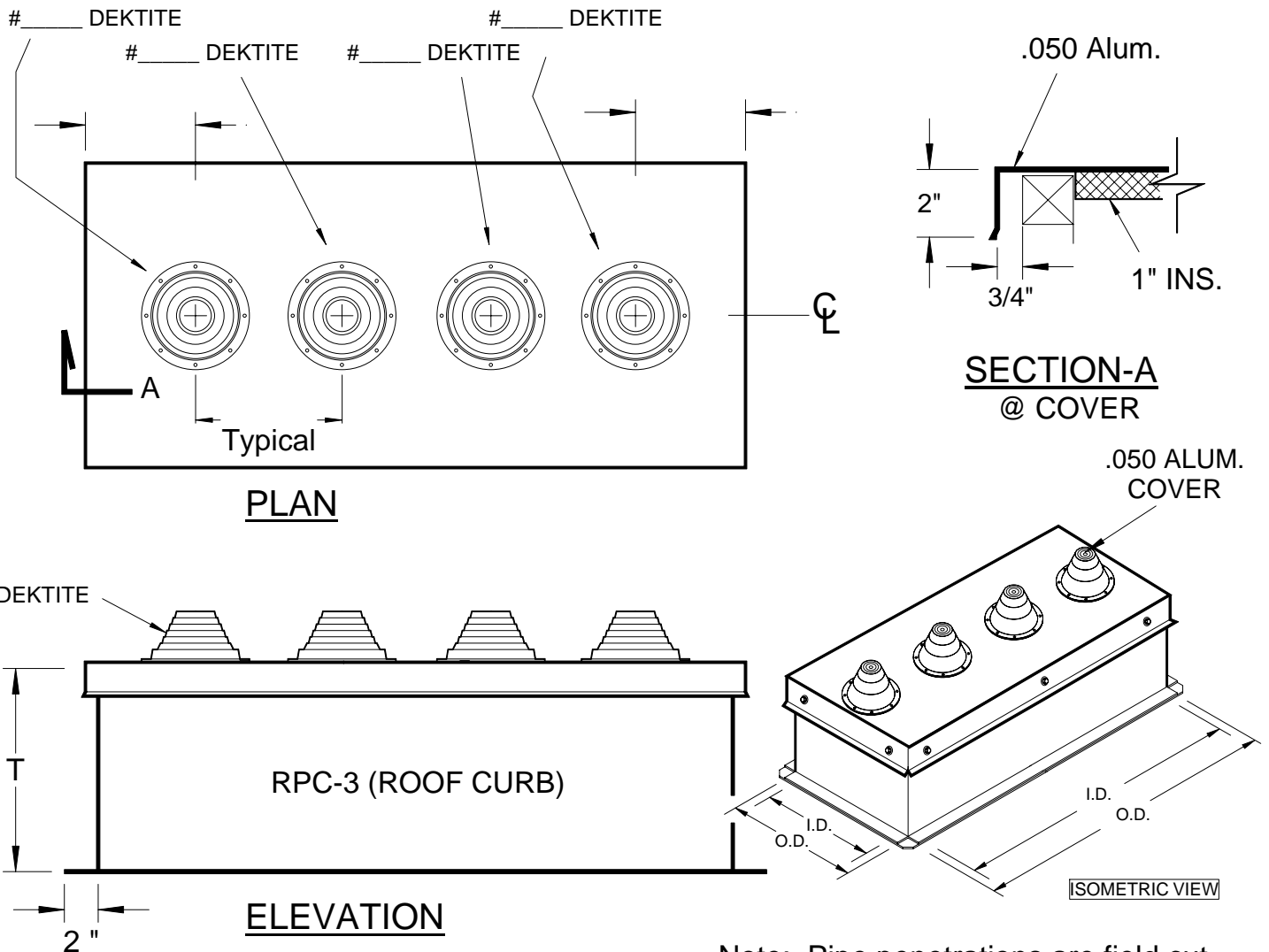
ROOF CURB: 18ga. Galvanized steel construction with 2 x 2 pressure-treated wood nailers. 1 1/2" thick 3# density rigid insulation. Internal reinforcing. 2" mounting flange. PIPE COVER: .050 Aluminum with 1" insulation. (4) Dektites for up to 18" Ø piping. All welds micro-sealed and prime painted after fabrication.

Added Options (When Required):

RPI Job #: -

Project: _____

Architect: _____



Note: Pipe penetrations are field cut.

Qty.	I.D.	O.D.	T	Dektite Size	Dektite Qty.	Tag: