

Model: RPPC-90 90-Degree Pipe Chase

Standard Construction:

.050 Aluminum or Galvanized steel construction.
Corners welded where required. Removable
water tight cover. All welds are micro-sealed
and prime painted after fabrication.

ALUMINUM

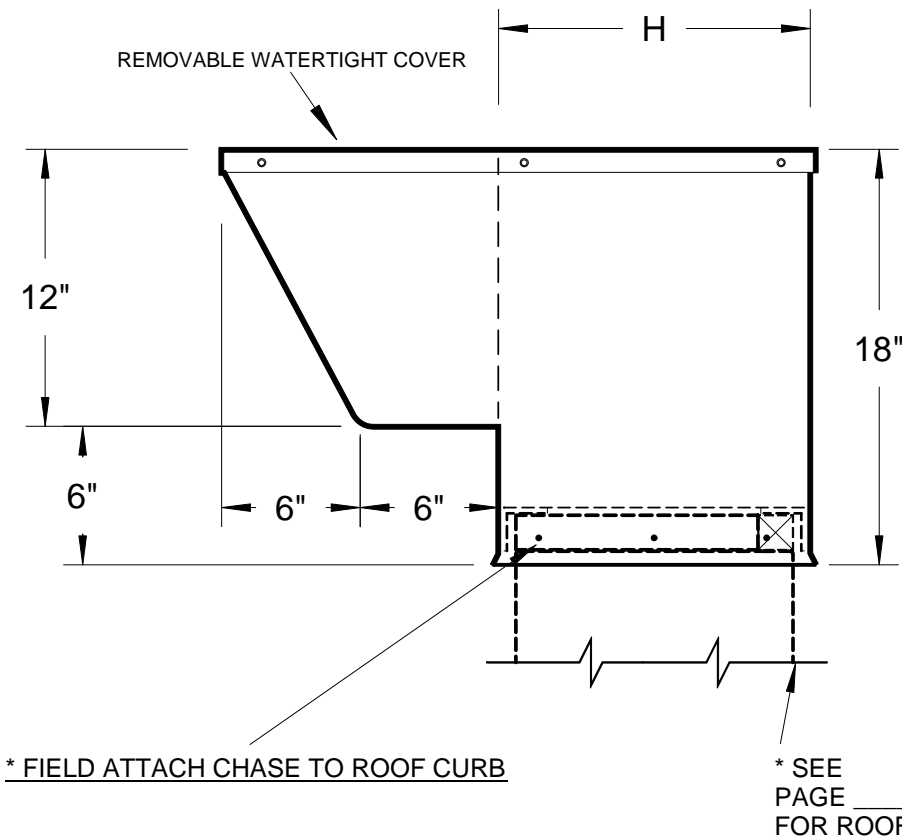
GALVANIZED

Added Options (When Required):

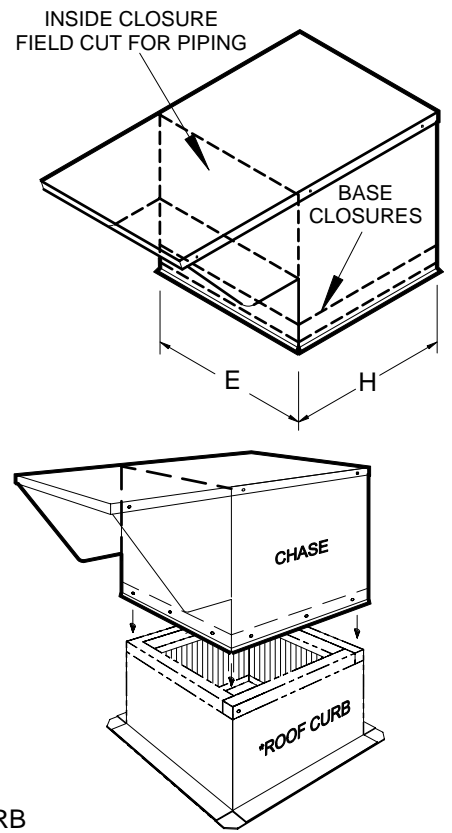
RPI Job #: -

Project: _____

Architect: _____



SIDE ELEVATION



ISOMETRIC VIEW

Qty.	E	H	Tag: