

## Model: RPPC-3 Pipe Curb

### Standard Construction:

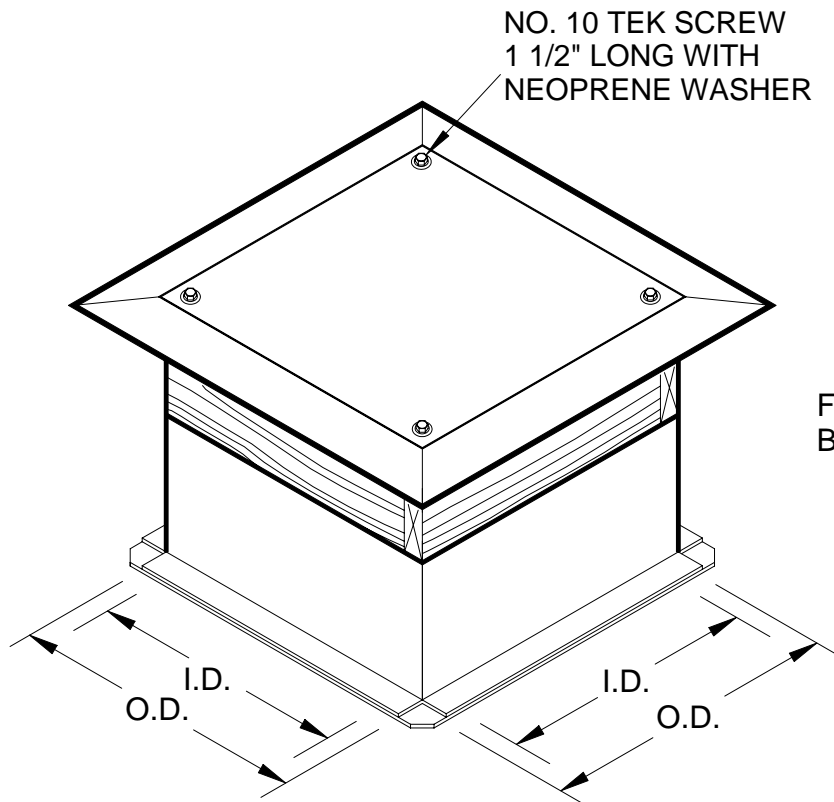
ROOF CURB: 18ga. Galvanized steel construction with 2" x 6" pressure-treated wood nailers. 1 1/2" thick 3# density rigid insulation. 2" mounting flange. COVER: .050 Aluminum with 1" insulation. All welds micro-sealed and prime painted after fabrication.

Added Options (When Required):

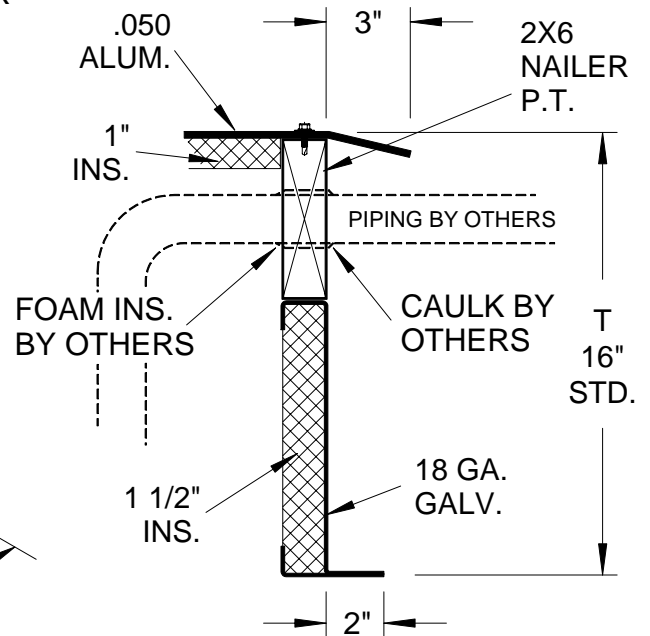
RPI Job #: -

Project: \_\_\_\_\_

Architect: \_\_\_\_\_



**ISOMETRIC VIEW**



**RPPC-3 SECTION**

Note: Pipe penetrations are field cut.

Qty.	I.D.	O.D.	T	Tag: