

Model: RPPB-3 Roof Curb / Pipe Box

Standard Construction:

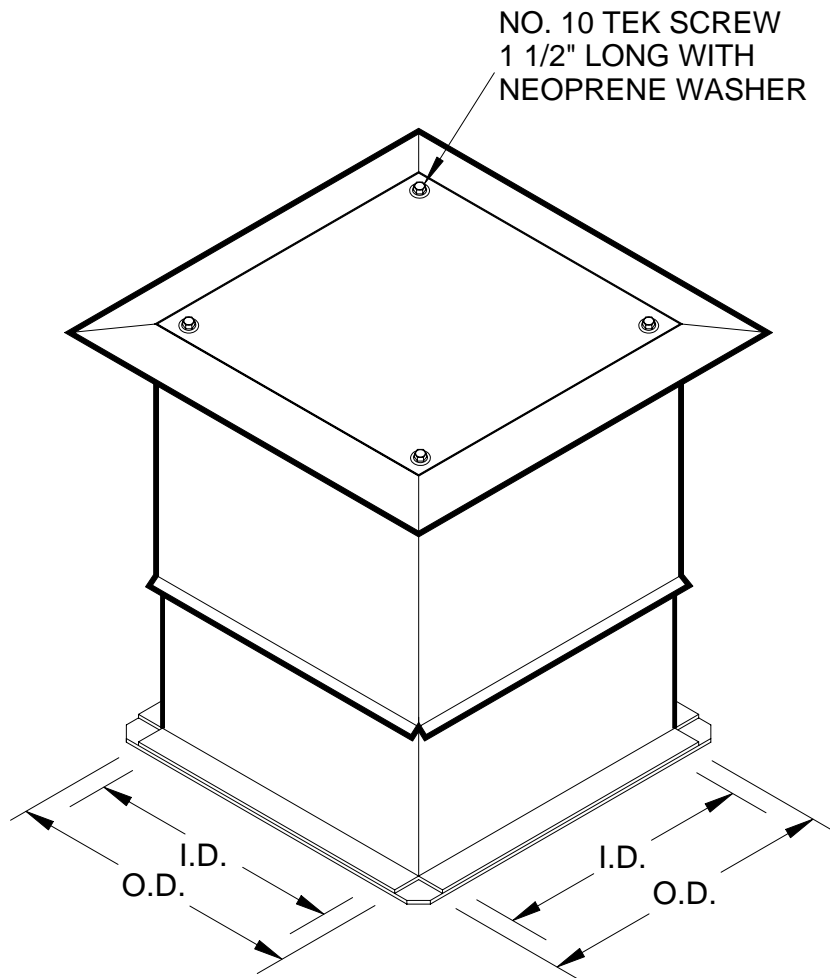
ROOF CURB: 18ga. Galvanized steel construction with 2" x 2" pressure-treated wood nailers. 1 1/2" thick 3# density rigid insulation. 2" mounting flange. PIPE BOX: .050 Aluminum with 1" insulation. All welds micro-sealed and prime painted after fabrication.

Added Options (When Required):

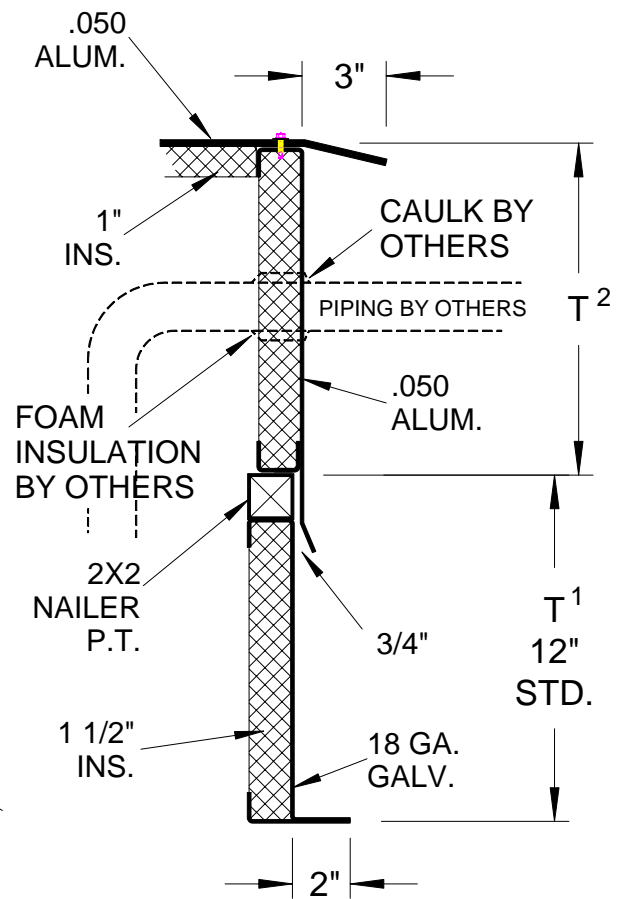
RPI Job #: -

Project: _____

Architect: _____



ISOMETRIC VIEW



RPPB-3 SECTION

Note: Pipe penetrations are field cut.

Qty.	I.D.	O.D.	T ¹	T ²	Tag: