

Model: RPDP-3 Diagonal Pipe Curb & Cover

Standard Construction:

ROOF CURB: 18ga. Galvanized steel construction with 2 x 2 pressure-treated wood nailers. 1 1/2" thick 3# density rigid insulation. Internal reinforcing. 2" mounting flange. PIPE COVER (Sloped): .050 Aluminum with 1" insulation. Dektite for up to 18" Ø piping. All welds micro-sealed and prime painted after fabrication.

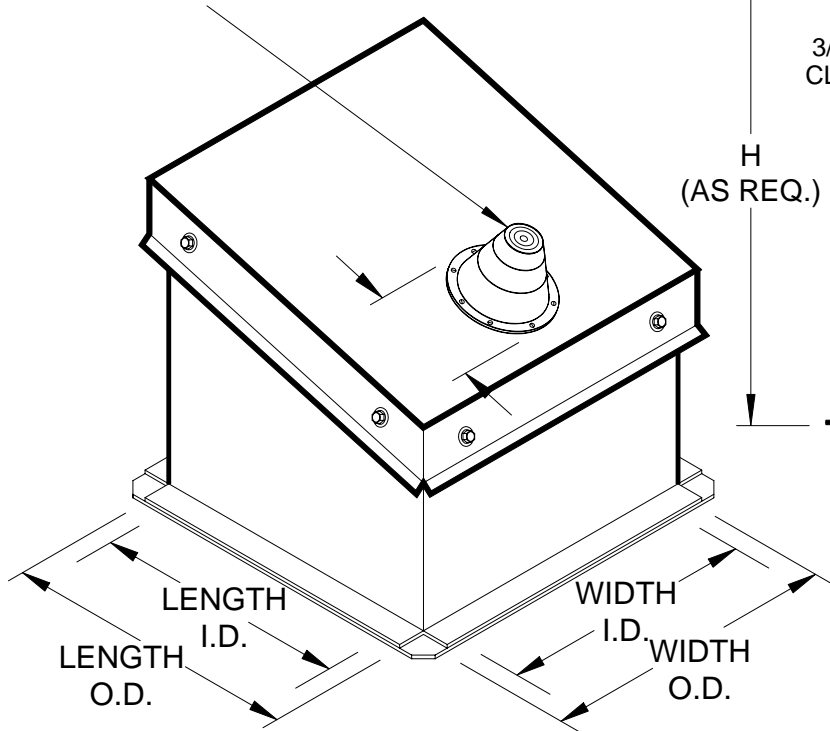
Added Options (When Required):

RPI Job #: -

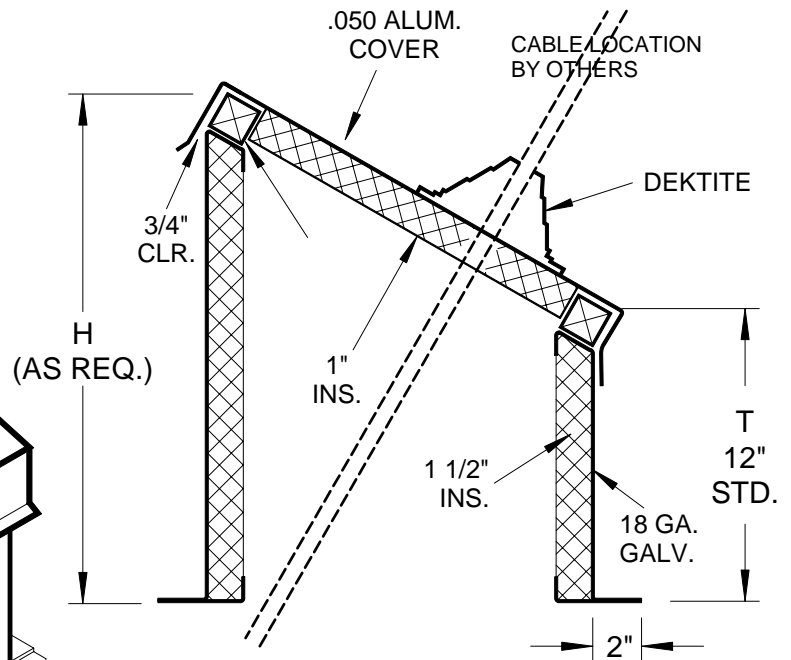
Project: _____

Architect: _____

_____ DEKTITE
FOR UP TO
_____ Ø CABLE
(FIELD INSTALLED)



ISOMETRIC VIEW



RPDP-3 SECTION

Note: Cable penetrations field located and field cut.

Qty.	LENGTH I.D.	WIDTH O.D.	LENGTH I.D.	WIDTH O.D.	T	H	Dektite Size	Dektite Qty.	Tag: