

Model: RPMB-7

Metal Building Roof Curb for Under/Under & Under/Over Panels on New Construction and Over/Over at Existing Construction. (Primarily used on LocSeam & SnapLok Panels)

Added Options:

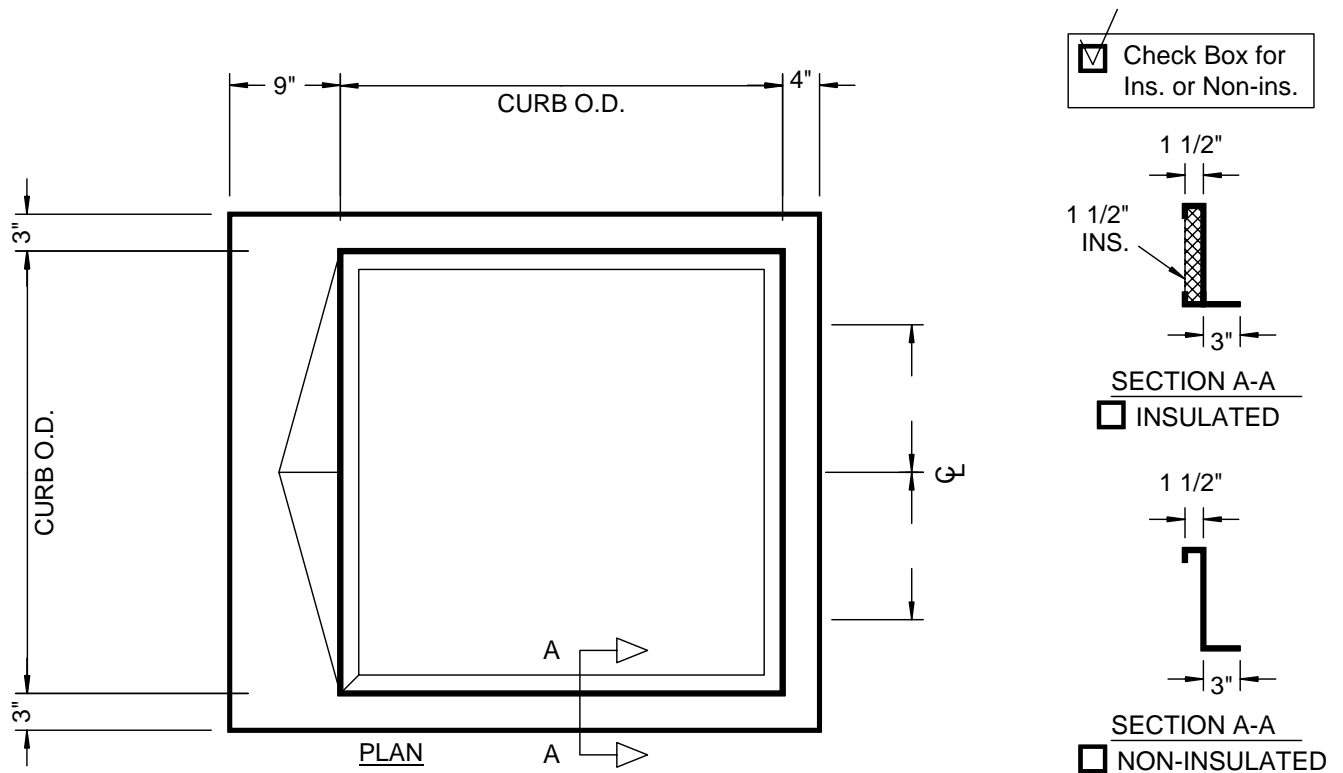
Standard Construction:

One piece curb; insulated or non-insulated; 8" minimum height; 18 gauge galvalume steel shell and base plate; corners mitered and welded watertight; welds are micro-sealed and prime painted after fabrication; integral water diverter.

- 1.
- 2.
- 3.
- 4.
- 5.

Project:

RPI JOB#: -



QTY.	I.D.	O.D.	T	L	TAG: