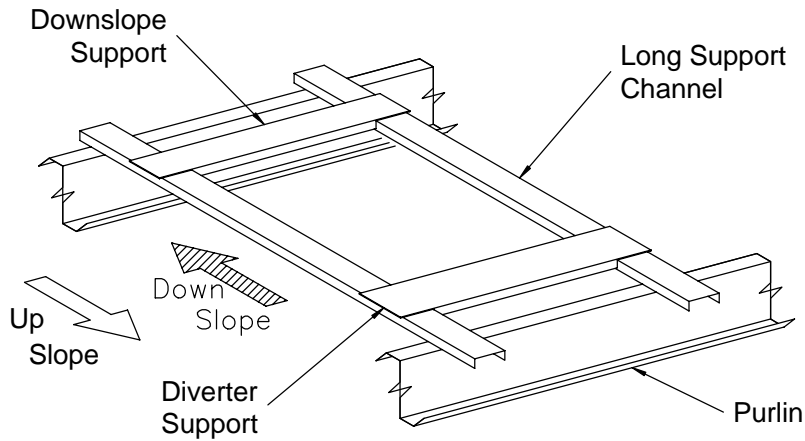
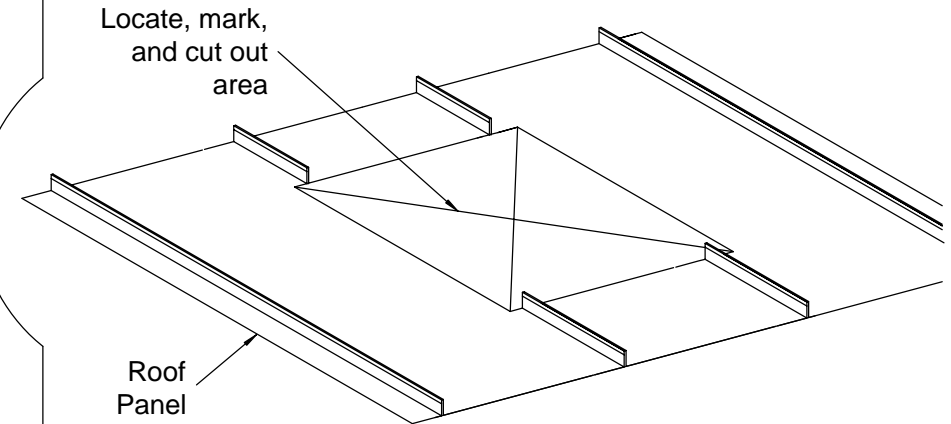


**RPMB-7 (ONE PIECE, FIELD NOTCHED LOW SIDE) METAL BLDG. ROOF CURB INSTALLATION DRAWING FOR UNDER-UNDER LOCSEAM & SNAPLOK ROOF PANELS ON NEW CONSTRUCTION.**

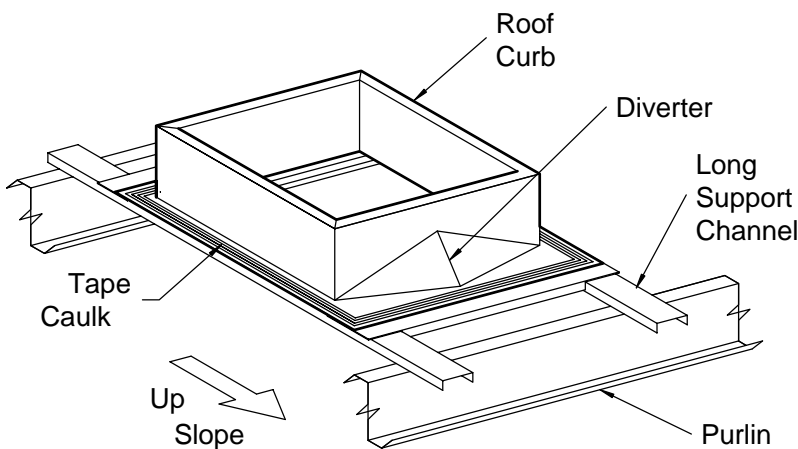
(1) Place and position long supports 6" beyond purlins. Attach downslope and diverter support to long support. Minimum of 2 parallel supports required. (Do not attach long supports to structure.)



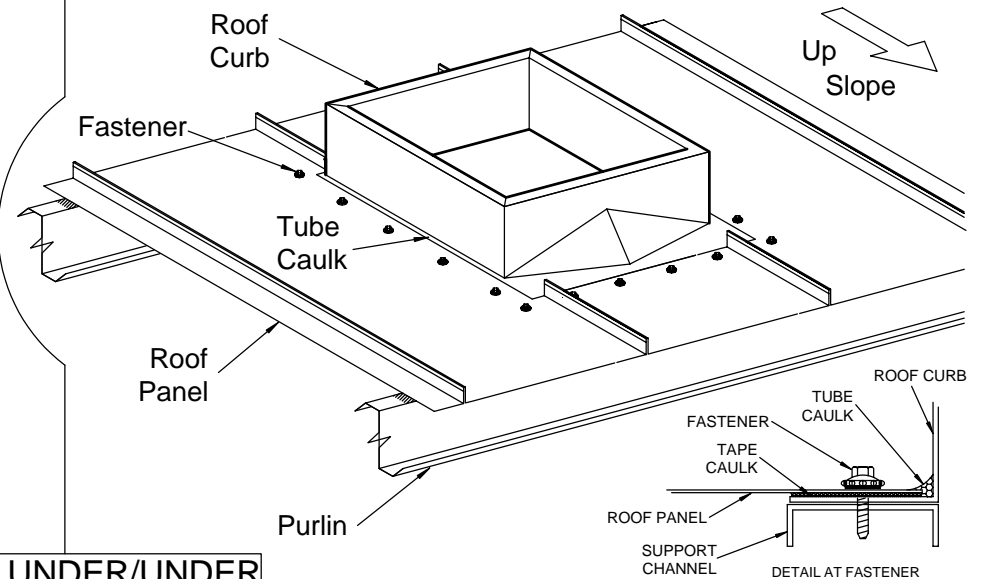
(2) Cut roof panel to fit around outside curb walls and 1" above water diverter.



(3) Place curb onto supports (diverter points upslope) and apply tape caulk to top side of curb flanges.



(4) Place roof panel in position, attach using compatible fasteners 4" max. O.C., apply Silicone sealant around all sides of curb.



**RPMB-7 UNDER/UNDER**