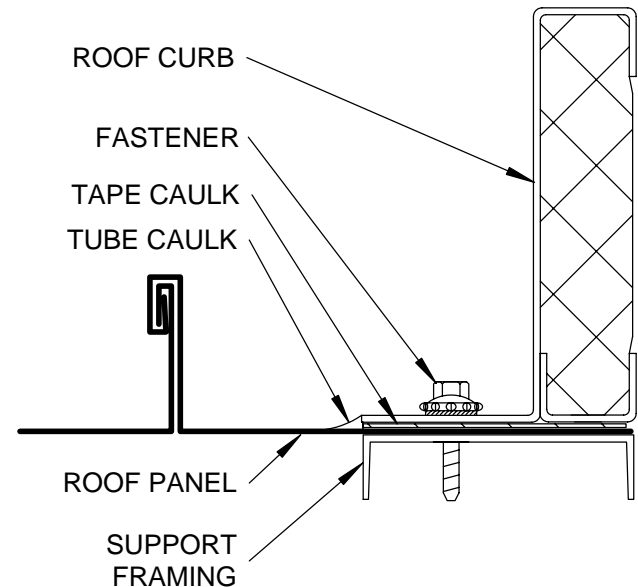
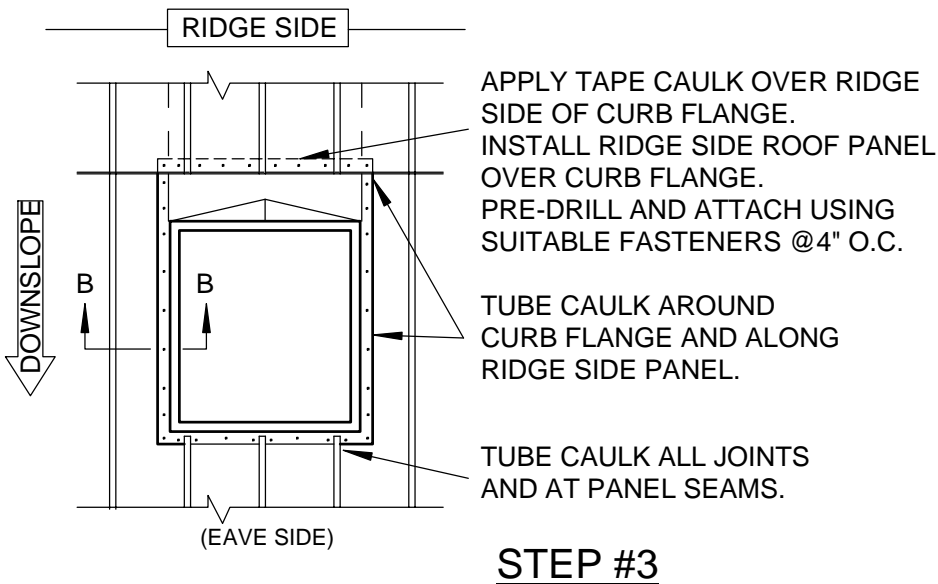
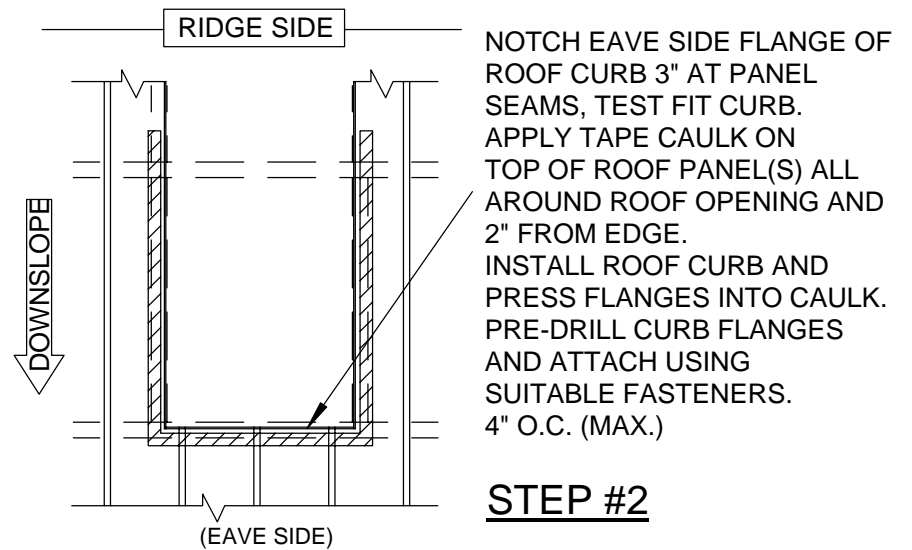
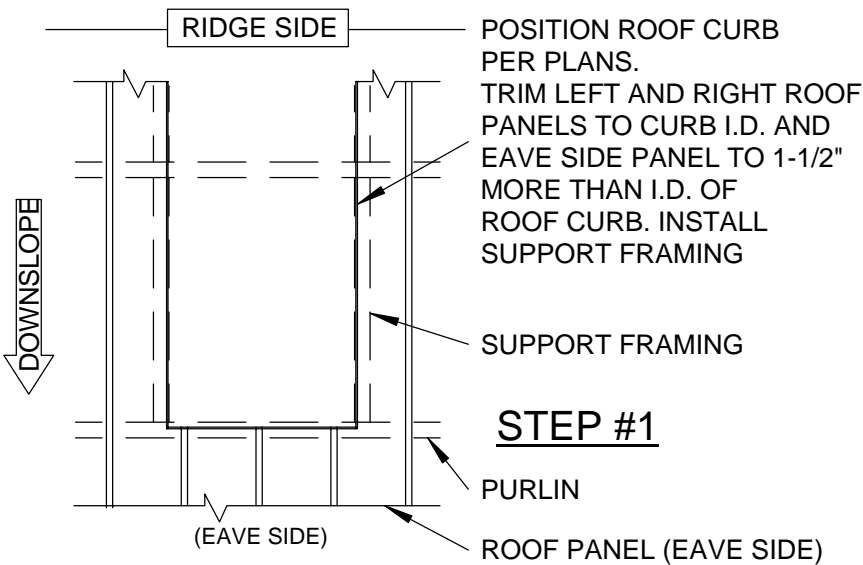


RPMB-7 (ONE PIECE, FIELD NOTCHED LOW SIDE) METAL BLDG. ROOF CURB INSTALLATION DRAWING FOR UNDER-OVER LOCSEAM & SNAPLOK ROOF PANELS ON NEW CONSTRUCTION.



SECTION B-B