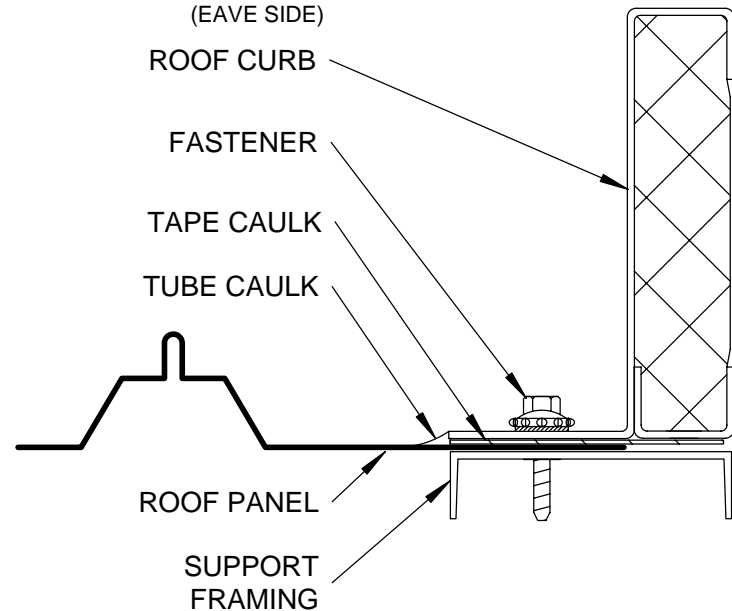
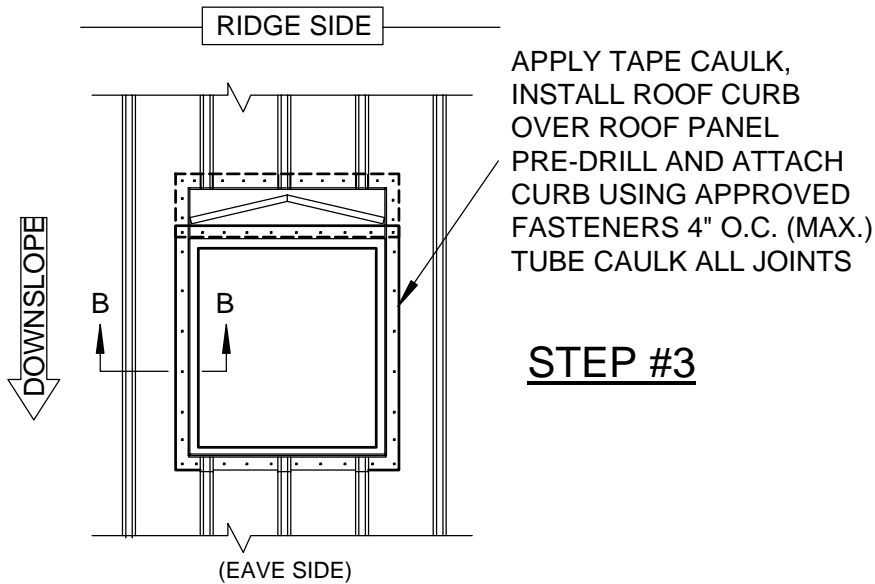
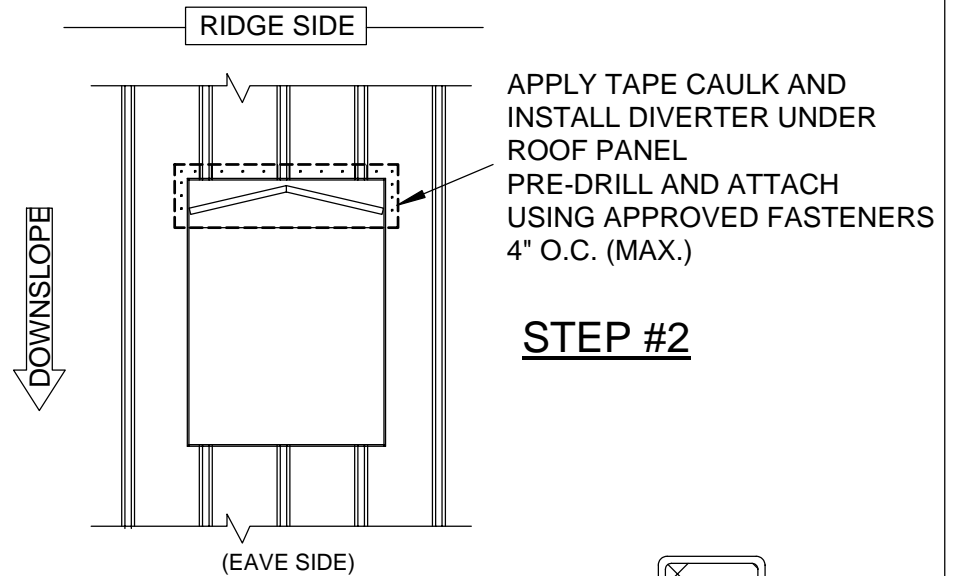
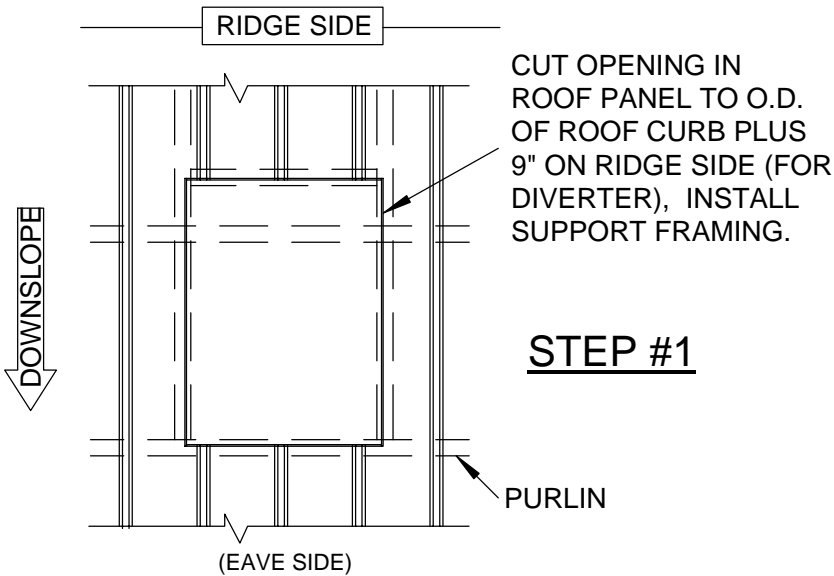


RPMB-4 (TWO PIECE WITH INTEGRAL CORRUGATIONS) METAL BLDG. ROOF CURB INSTALLATION DRAWING FOR UNDER-OVER PANELS ON NEW OR EXISTING CONSTRUCTION.



SECTION B-B