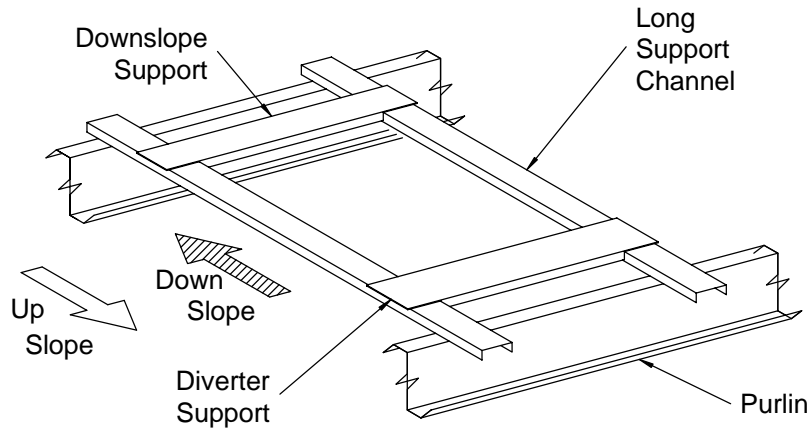


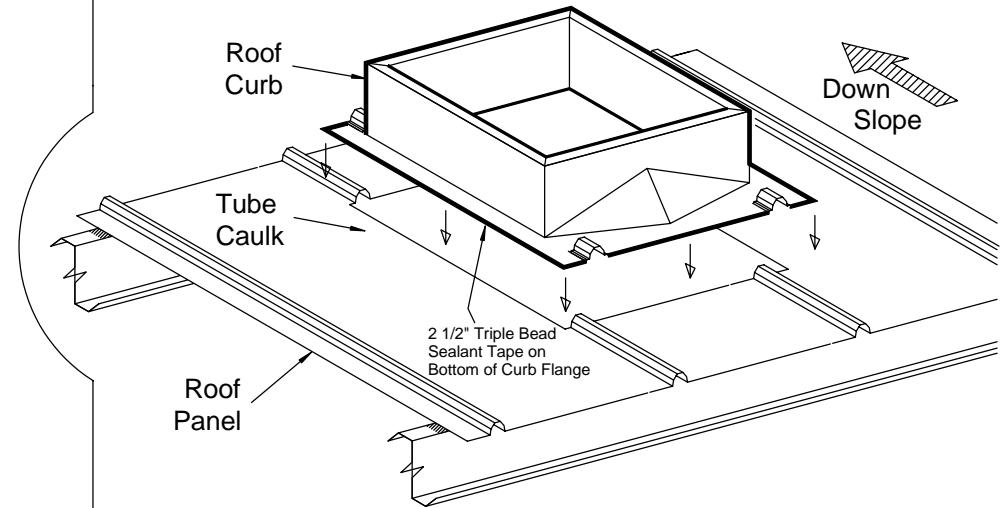
RPMB-3 (ONE PIECE) METAL BUILDING ROOF CURB INSTALLATION FOR OVER-OVER ON EXISTING OR NEW CONSTRUCTION

- (1) Place and position long supports 6" beyond purlins. Attach downslope and diverter support to long support. Minimum of 2 parallel supports required. (Do not attach long supports to structure.)

- (2) Attach Roof Panels



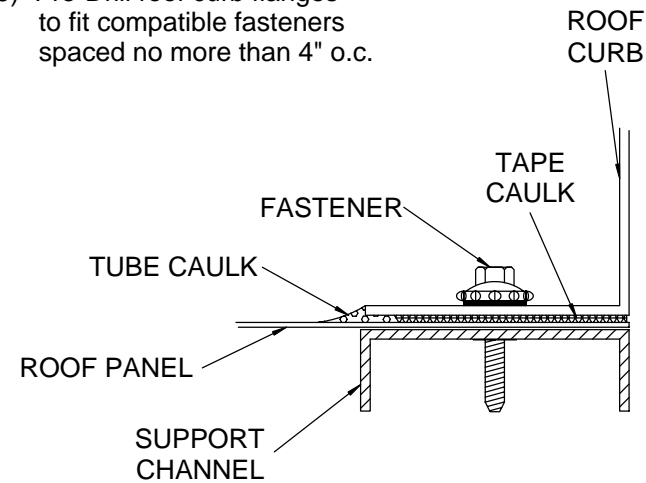
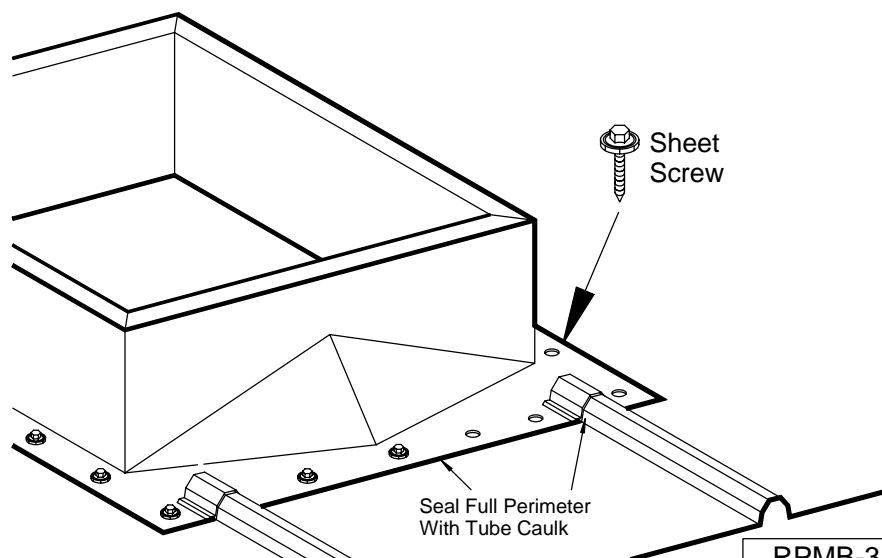
- (3) Make roof cut-out to curb outside dimensions plus 6-1/2" on ridge side.



- (4) Turn Roof curb upside down then apply 2 1/2" Triple Bead Sealant Tape to full perimeter of Roof Curb Flange.

- (5) Pre-Drill roof curb flanges to fit compatible fasteners spaced no more than 4" o.c.

- (6) Attach roof curb with compatible fasteners.



DETAIL AT FASTENER