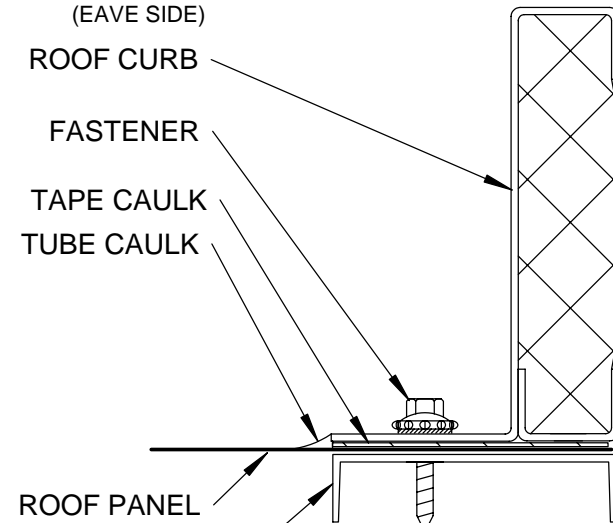
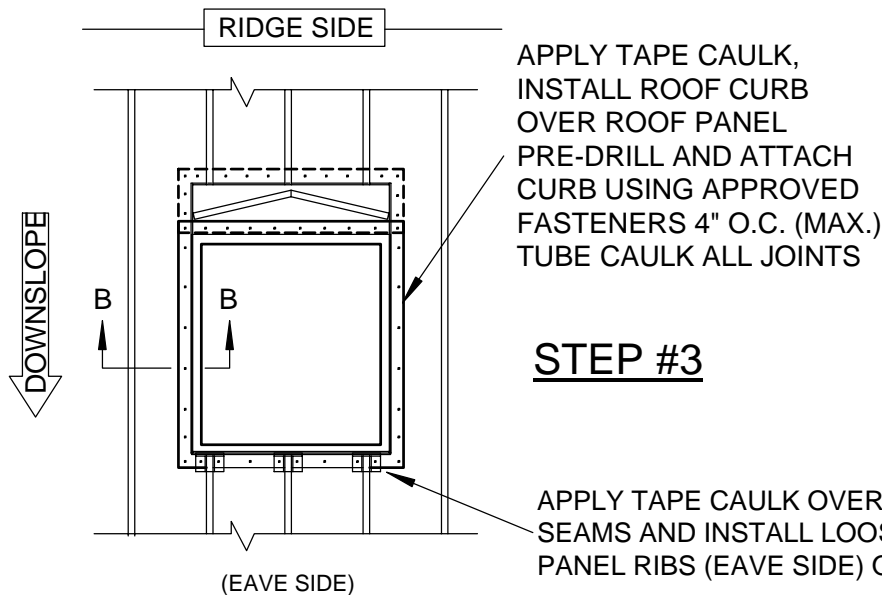
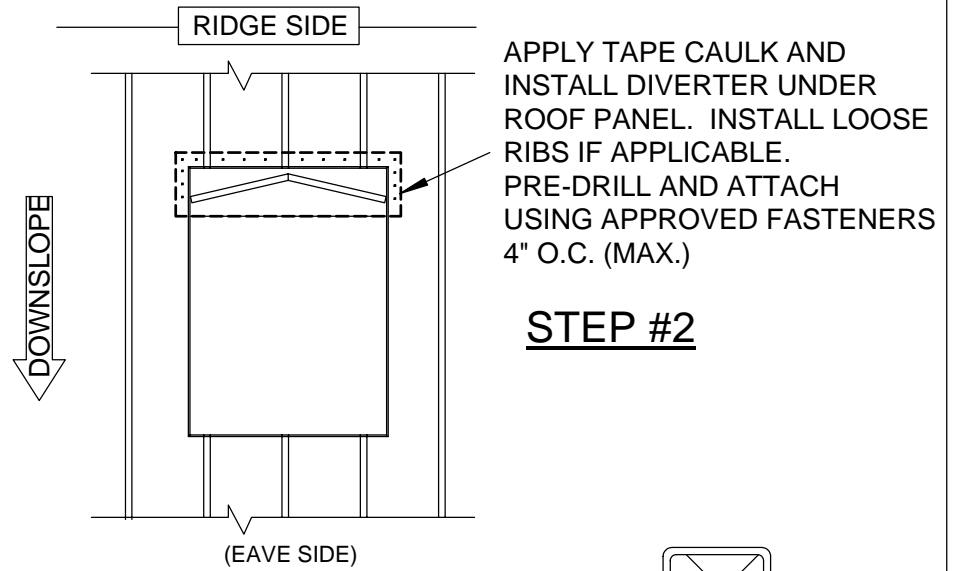
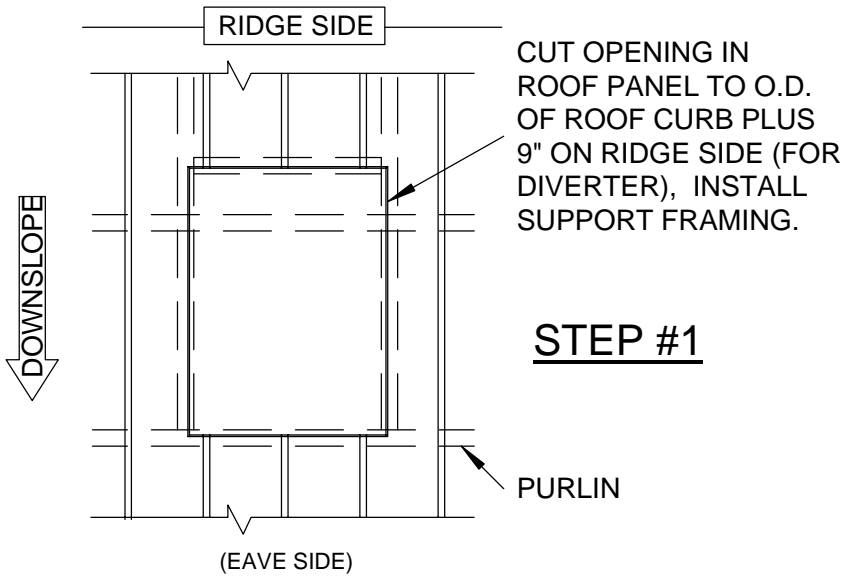


RPMB-2 (TWO PIECE, LOOSE RIBS OPTIONAL) METAL BLDG. ROOF CURB INSTALLATION DRAWING FOR UNDER-OVER ON NEW OR EXISTING CONSTRUCTION.



SECTION B-B