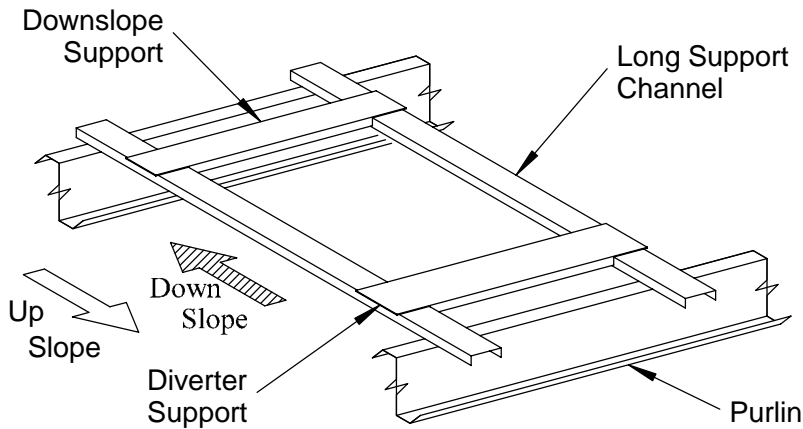
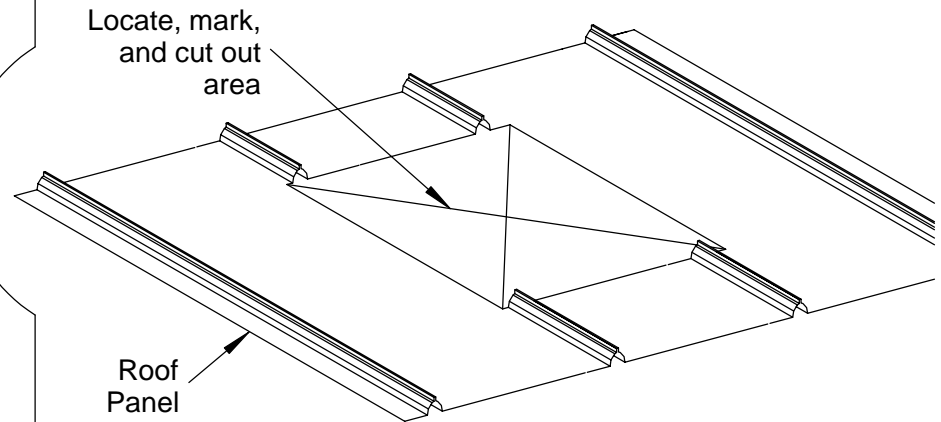


**RPMB-1 (ONE PIECE, WITH LOOSE RIBS) METAL BLDG. ROOF CURB INSTALLATION FOR UNDER-UNDER ON R & SSR ROOF PANELS ON NEW CONSTRUCTION**

(1) Place and position long supports 6" beyond purlins. Attach downslope and diverter support to long support. Minimum of 2 parallel supports required. (Do not attach long supports to structure.)

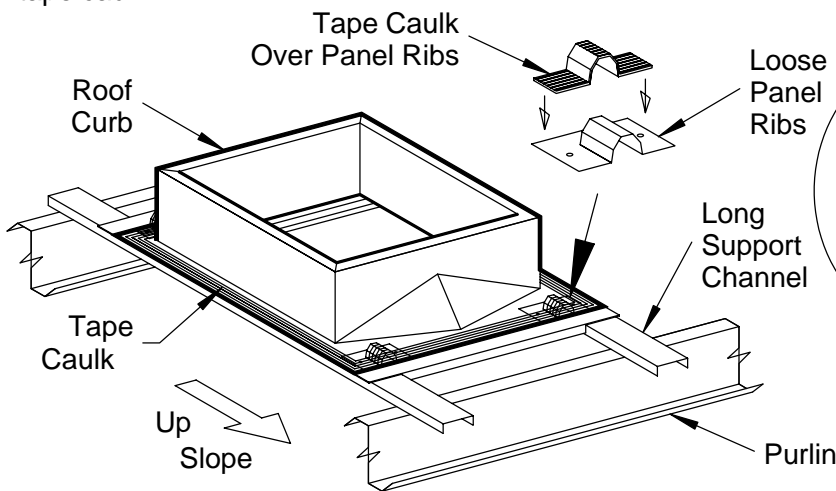


(2) Cut roof panel to fit around outside curb walls and 1" above water diverter.



(3) Place curb onto supports (diverter points upslope) and apply tape caulk to top side of curb flanges.

(4) Locate loose panel ribs as required and apply tape caulk.



(5) Place roof panel in position, pre-drill, and attach using compatible fasteners 4" max. O.C., apply Silicone sealant (tube caulk) around all sides of curb.

