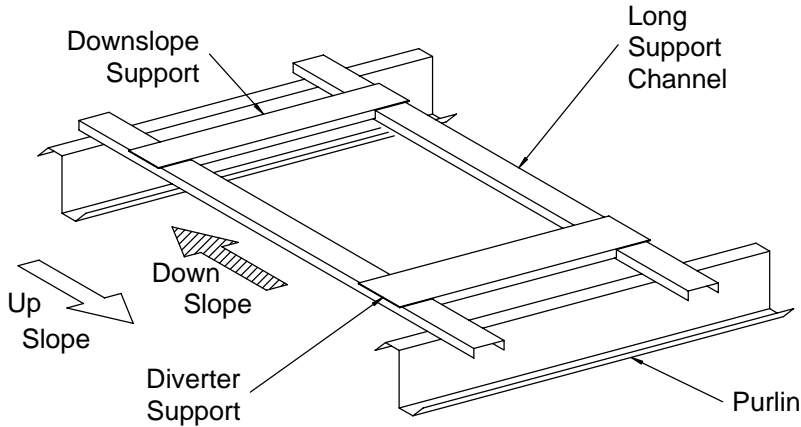


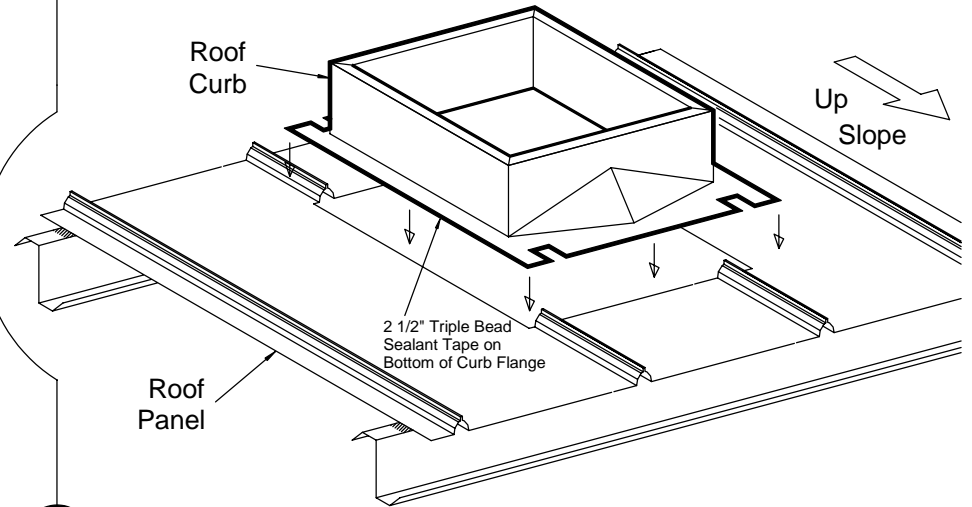
RPMB-1 (ONE PIECE, WITH LOOSE RIBS) METAL BLDG. ROOF CURB INSTALLATION FOR OVER-OVER ON R & SSR ROOF PANELS ON NEW CONSTRUCTION

(1) Place and position long supports 6" beyond purlins. Attach downslope and diverter support to long support. Minimum of 2 parallel supports required. (Do not attach long supports to structure.)

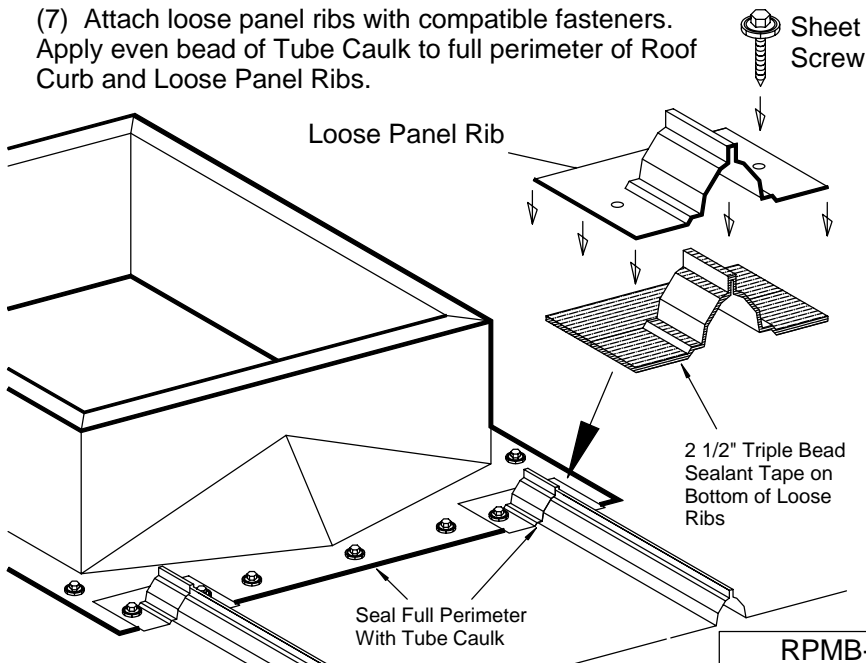
(2) Attach Roof Panels



(3) Make roof cut-out to curb outside dimensions plus 6" on ridge side, and 1 1/2" on eave side.



(7) Attach loose panel ribs with compatible fasteners. Apply even bead of Tube Caulk to full perimeter of Roof Curb and Loose Panel Ribs.



(4) Notch roof curb to allow curb to sit in the flat of panel.

(5) Turn Roof curb upside down then apply 2 1/2" Triple Bead Sealant Tape to full perimeter of Roof Curb Flange.

(6) Attach curb to roof panel with screws spaced no more than 4" o.c.

