

Model: RPMB-1BB (w/ 1/2" Diameter Burglar Bars) Added Options:

Metal Building Roof Curb with Loose Panel Ribs for Over/Over Panels at Existing or New Construction and Under/Under or Under/Over at New Construction.

Standard Construction:

One piece curb; insulated or non-insulated; 8" minimum height; 18 gauge Galvalume steel shell and base plate; corners mitered and welded watertight; welds are microsealed, urethane coated, and prime painted after fabrication; integral water diverter; loose panel ribs (R and SSR roof panels only). 22ga. Galvaneal liner, 1/2" burglar bars 6" o.c. both ways.

- 1.
- 2.
- 3.
- 4.
- 5.

Project: _____

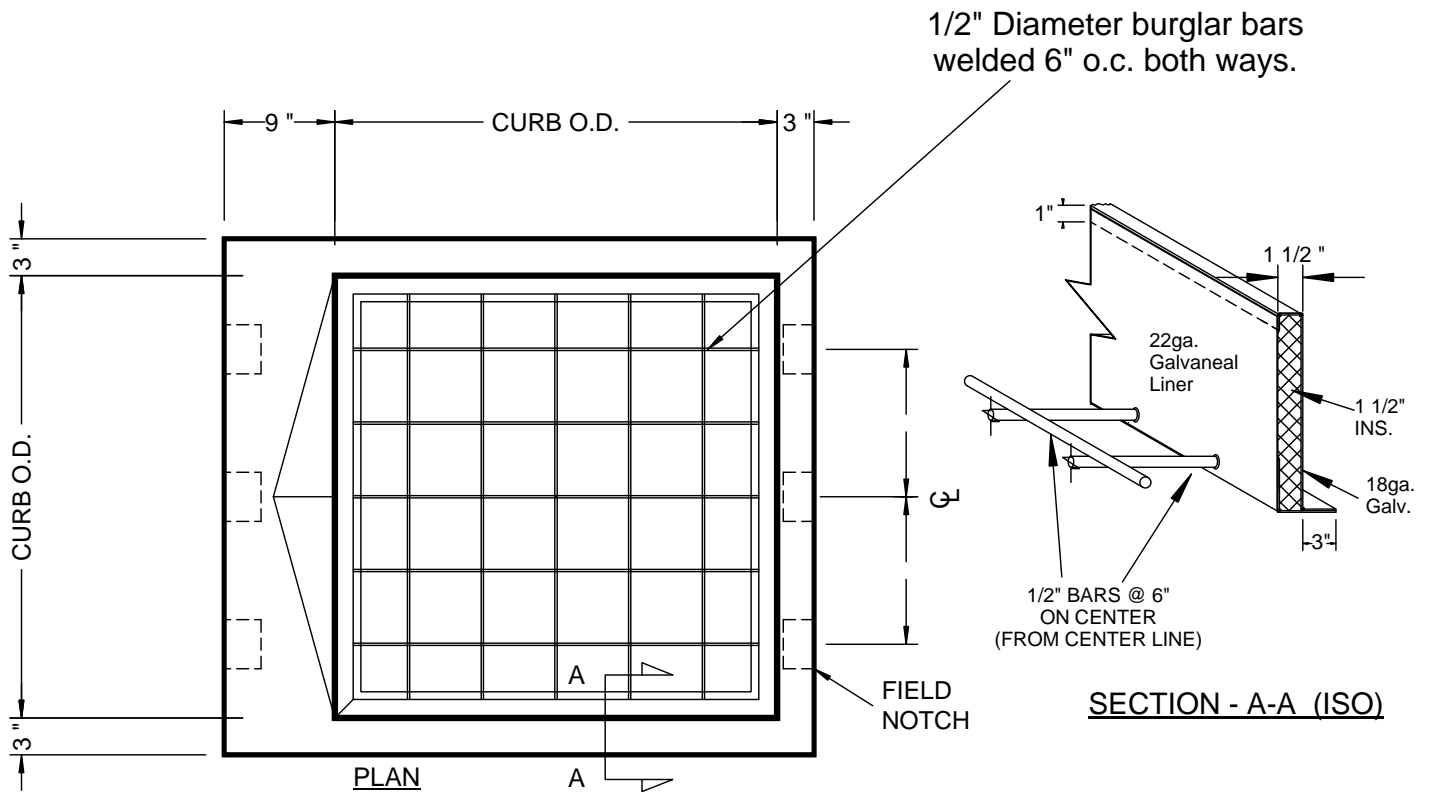
RPI JOB#: -

Match Roof Panel: _____

No. of Ribs under
Panel each curb: _____



No. of Ribs over
Panel each curb: _____



QTY.	I.D.	O.D.	T	L	TAG: