

Model: RPEJ-1 Expansion Joint Curbing (Single Side)

Standard Construction:

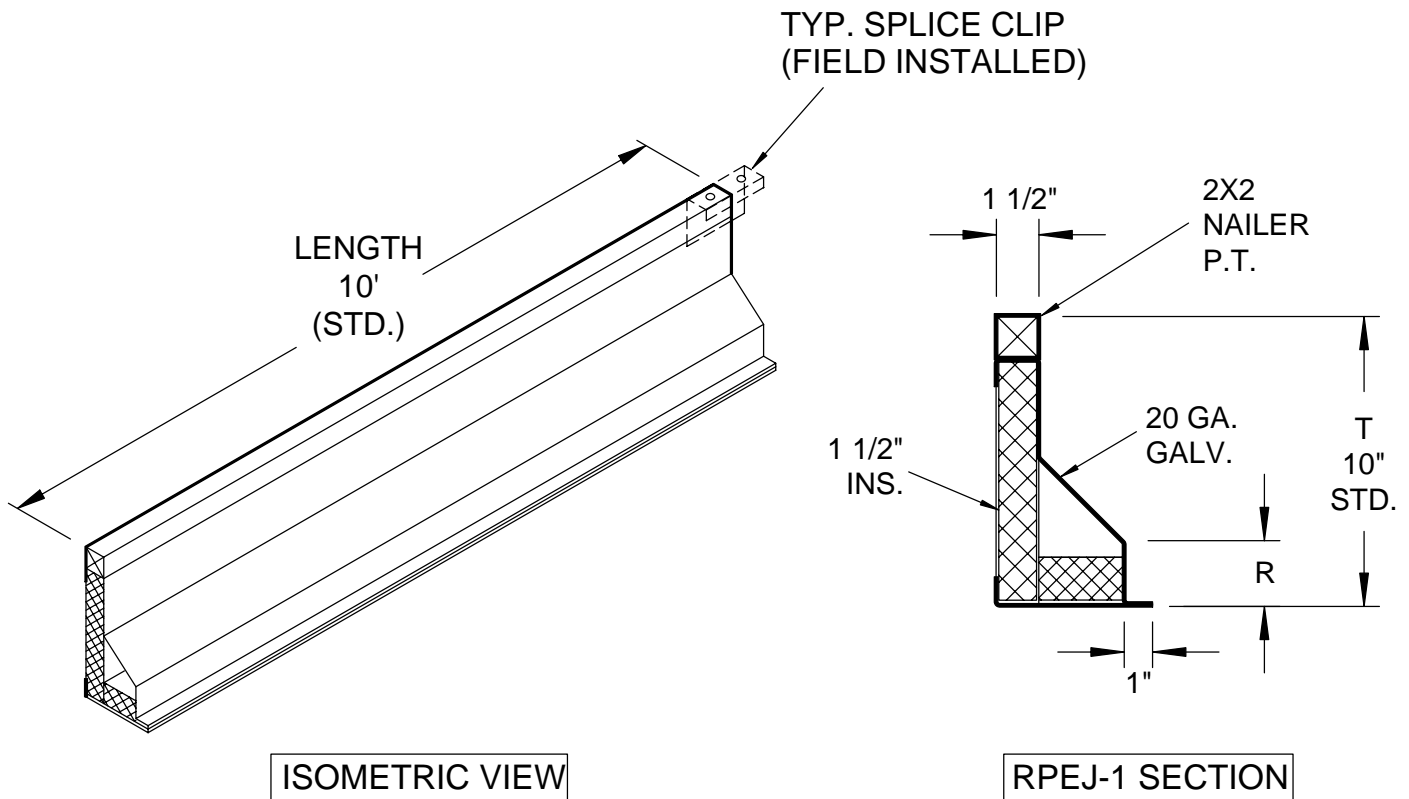
20 ga. galvanized steel construction with 2 X 2 pressure-treated wood nailers; 1 1/2" thick, 3# density rigid insulation; internal vertical reinforcing; 3" x 3" raised cant; 1" mounting flange; splice clips.
All welds micro-sealed and prime painted after fabrication.

Added Options (When Required):

RPI Job #: -

Project: _____

Architect: _____



QTY.	LENGTH	T	R	TAG:
	10' = 120"			