

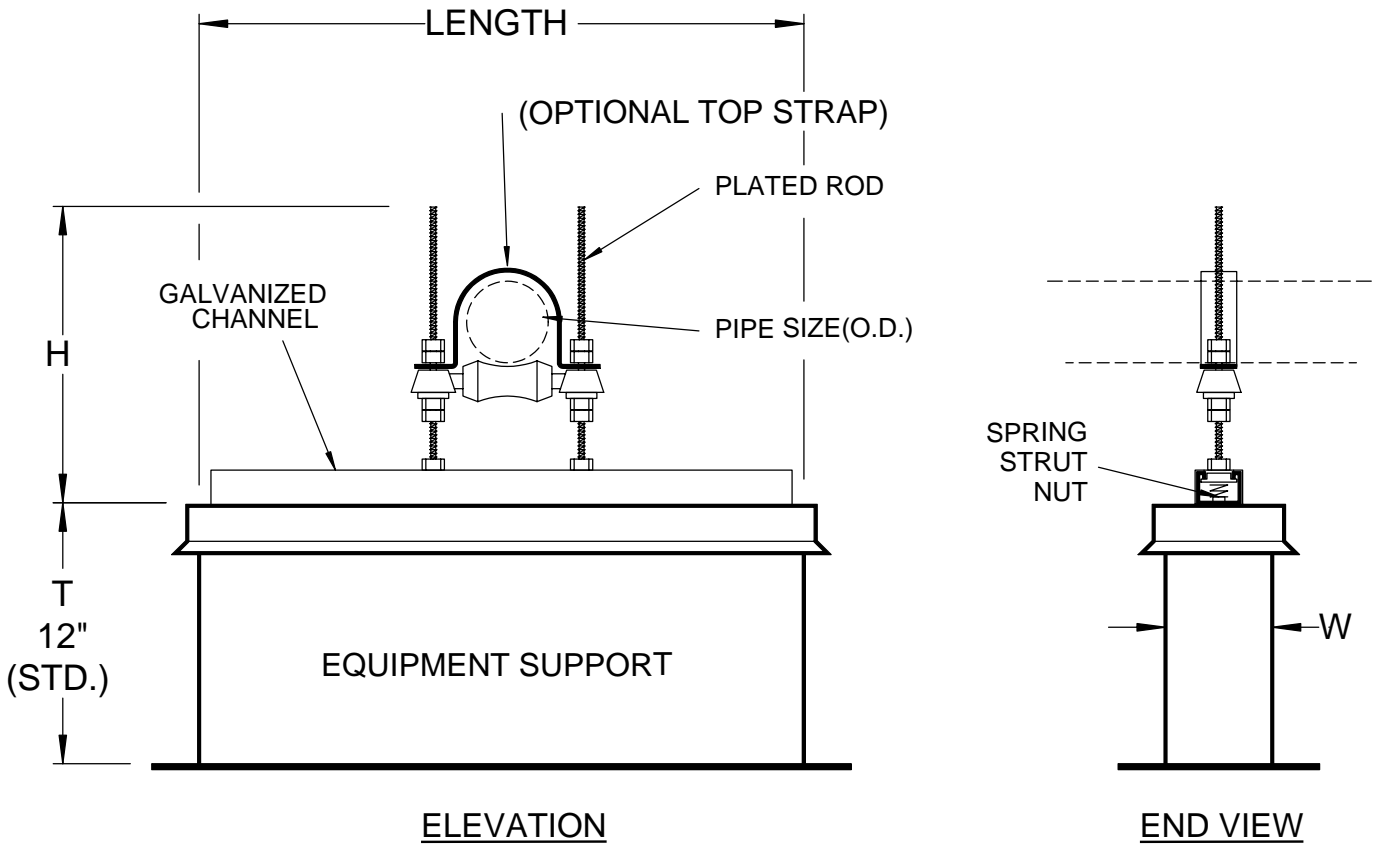
## Model: RPPS-3 Pipe Roller Support (Adjustable)

### Standard Construction:

Pipe roller: Cast iron and Carbon steel. Equipment Support: 18ga. Galvanized steel, 2x4 pressure treated nailer. All welds treated with rust inhibitor after fabrication.

Added Options (When Required):	RPI Job #: -
--------------------------------	--------------

Project: _____	Architect: _____
----------------	------------------



### BILL OF MATERIALS

SUPPORT DIMENSIONS				PIPE ROLLER DIMENSIONS			
QTY.	LENGTH	T	WIDTH	QTY.	PIPE SIZE	H	TAG:
				OPTIONAL TOP STRAP: <input type="checkbox"/> YES <input type="checkbox"/> NO			