

Model: RPES-3UF Screen & Ice Deflector Supports (Designed for Uplift Force)

Standard Construction:

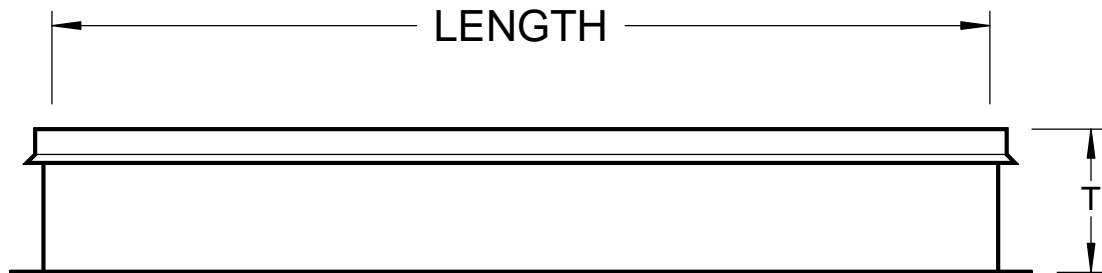
16 ga. galvanized steel construction; Pressure-treated wood nailer; vertical C-channel bulkheads; one piece outer shell with welded corners; 16 ga. galvanized counterflashing. All welds micro-sealed and prime painted after fabrication.

Added Options (When Required):

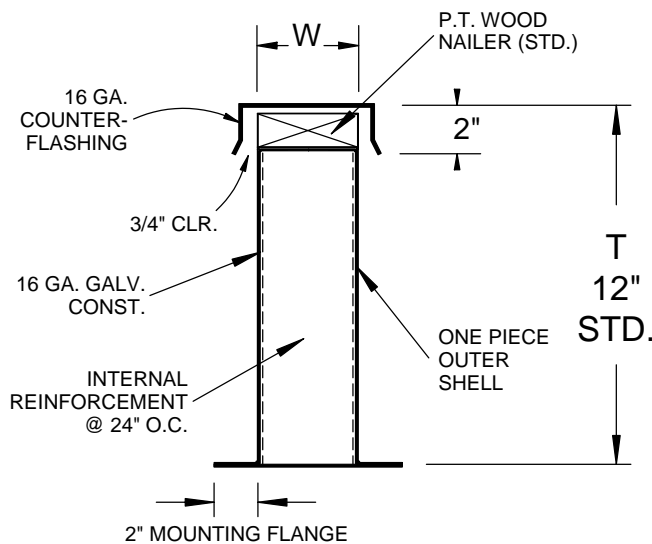
RPI Job #: -

Project: _____

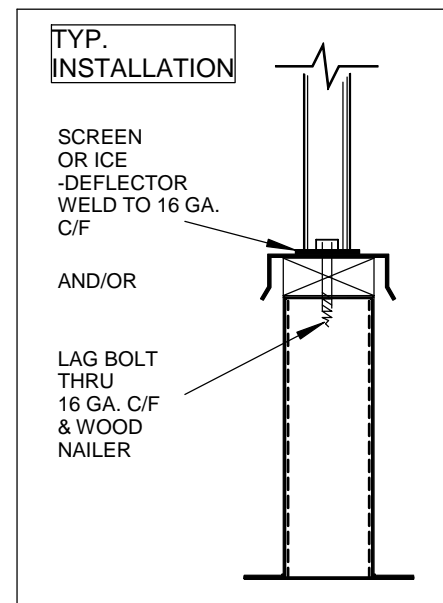
Architect: _____



ELEVATION



RPES-3 SECTION



QTY.	LENGTH	T	W	TAG: