

Model: RPES-1 Equipment Support

Standard Construction:

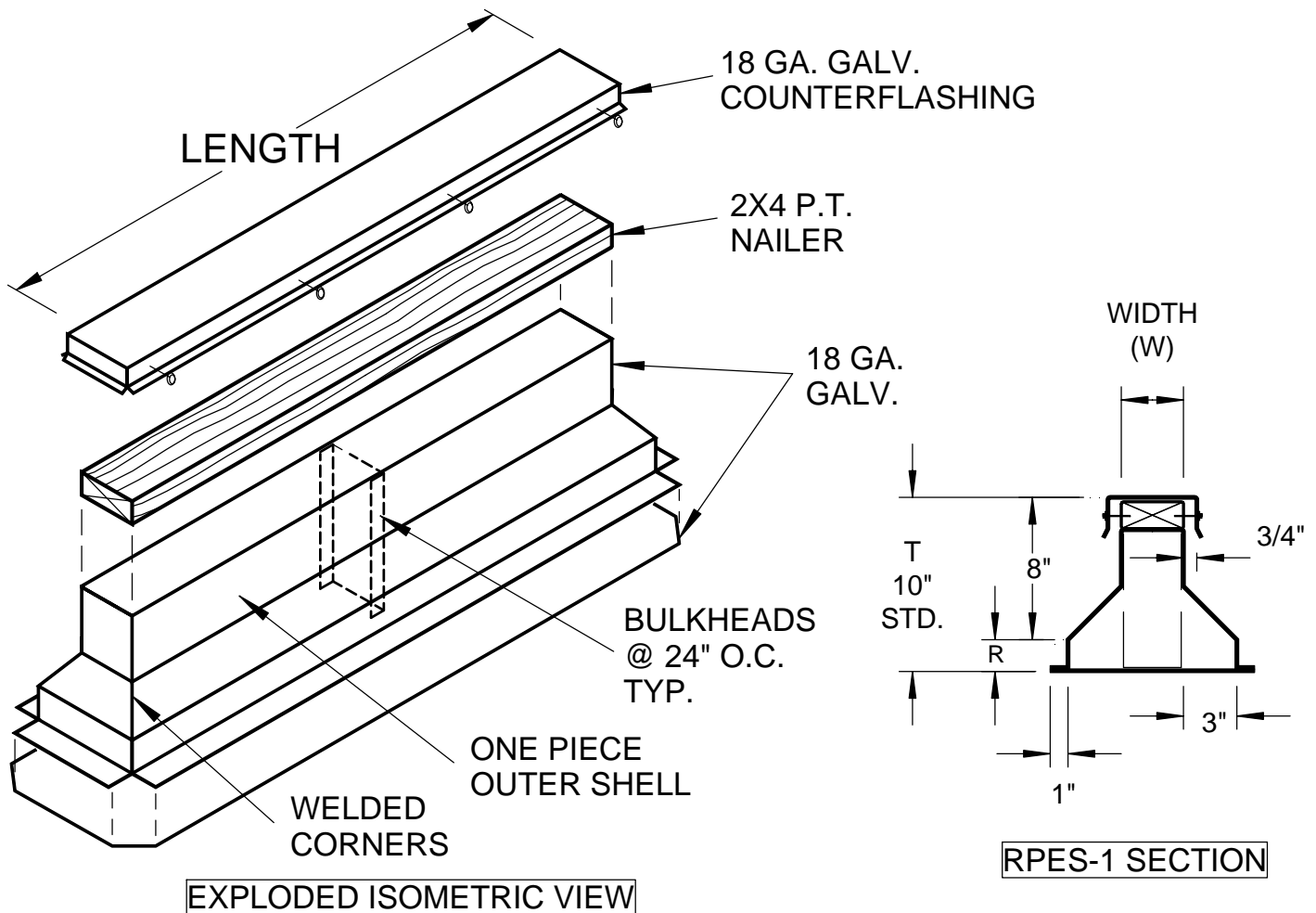
18 ga. galvanized steel construction; 2 X 4 pressure-treated wood nailer(std.); 3" x 3" raised cant; vertical C-channel bulkheads; one piece outer shell with welded corners; 18 ga. galvanized counterflashing. All welds micro-sealed and prime painted after fabrication.

Added Options (When Required):

RPI Job #: -

Project: _____

Architect: _____



| QTY. | LENGTH | T | W | R | TAG: |
|------|--------|---|---|---|------|
| | | | | | |
| | | | | | |
| | | | | | |
| | | | | | |