

Model: RPC-5 Roof Curb

Standard Construction:

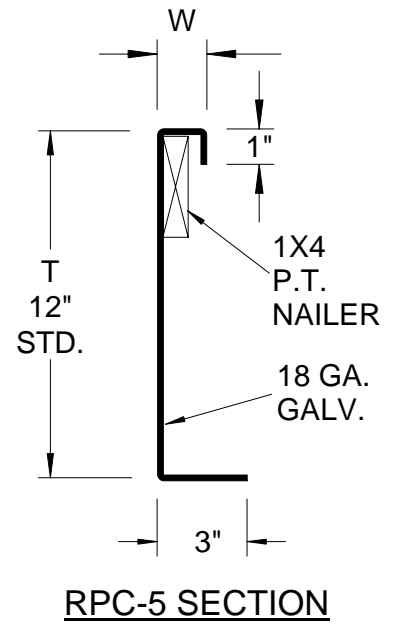
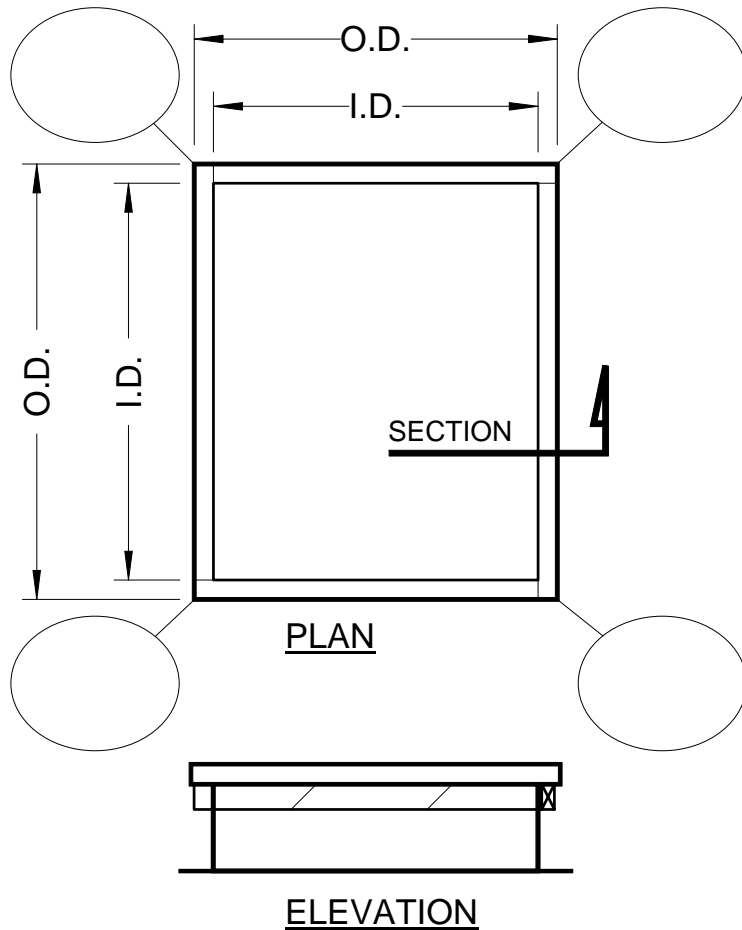
18ga. Galvanized steel construction with 1 x 4 pressure-treated wood nailers. Welded steel shell. 3" mounting flange. All welds micro-sealed and prime painted after fabrication.

Added Options (When Required):

RPI Job #: -

Project: _____

Architect: _____



Qty.	I.D.	O.D.	T	W	Tag: