

Model: RPC-3ST (Structural) Roof Curb W/Sloped Top

Standard Construction:

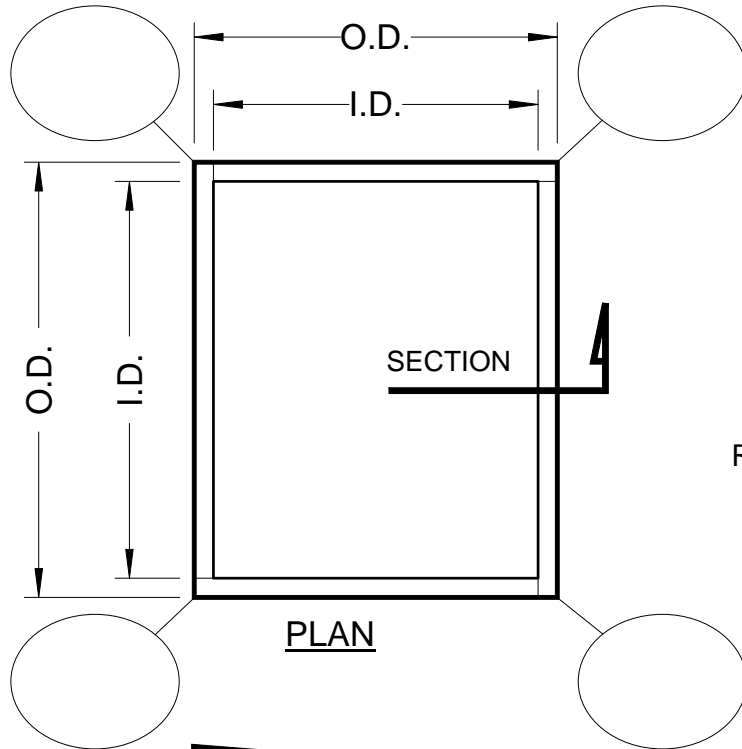
18ga. Galvanized steel construction with 2 x 2 pressure-treated wood nailers. 1 1/2" thick 3# density rigid insulation. Internal reinforcing. 2" mounting flange. All welds micro-sealed and prime painted after fabrication.

Added Options (When Required):

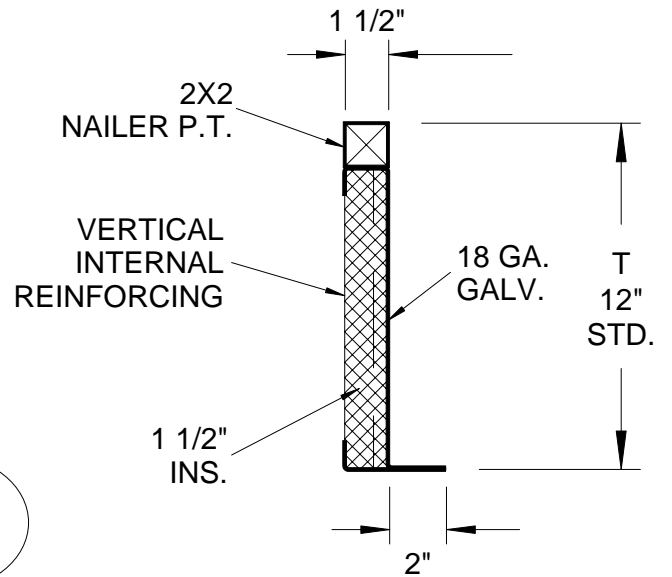
RPI Job #: -

Project: _____

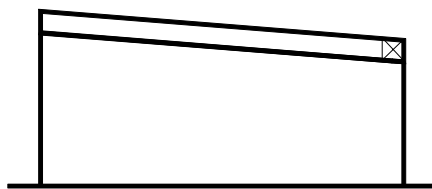
Architect: _____



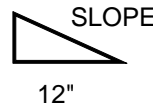
PLAN



RPC-3ST SECTION



ELEVATION



SLOPE TOP ONLY

Qty.	I.D.	O.D.	T	Tag: