

Model: RPC-3L (Structural) Roof Curb W/Liner

Standard Construction:

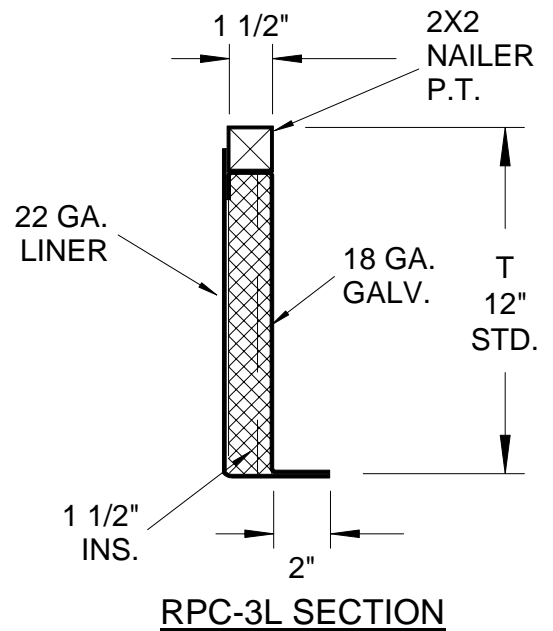
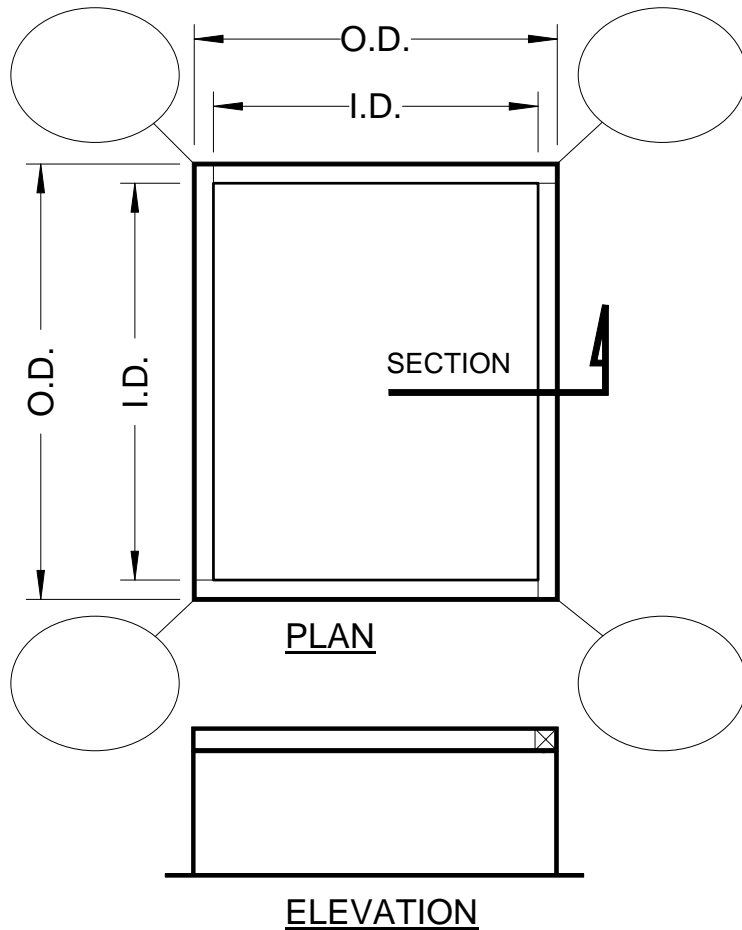
18ga. Galvanized steel construction with 2 x 2 pressure-treated wood nailers. 1 1/2" thick 3# density rigid insulation. Internal reinforcing. 2" mounting flange. 22ga. Galv. liner. All welds micro-sealed and prime painted after fabrication.

Added Options (When Required):

RPI Job #: -

Project: _____

Architect: _____



| Qty. | I.D. | O.D. | T | Tag: |
|------|------|------|---|------|
| | | | | |
| | | | | |
| | | | | |
| | | | | |
| | | | | |