

Model: RPC-2L (Structural) Roof Curb W/Liner

Standard Construction:

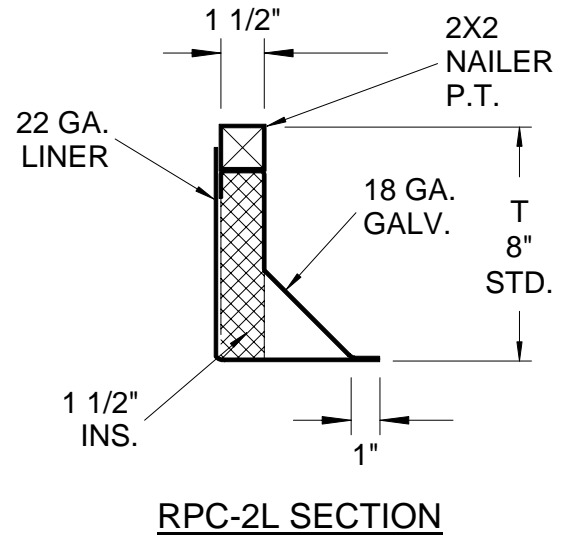
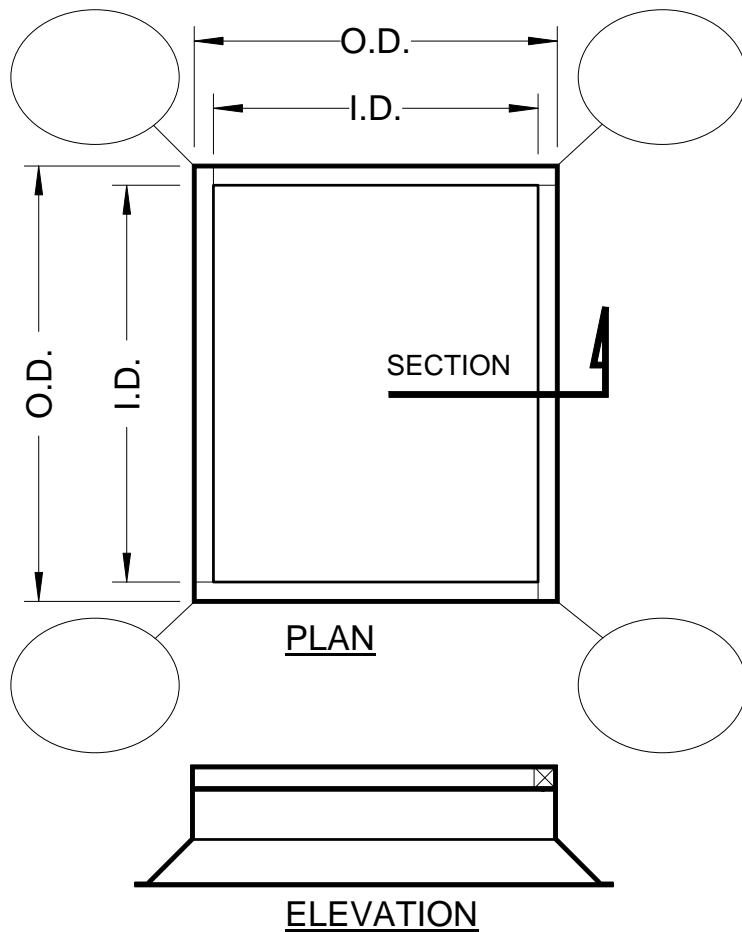
18ga. Galvanized steel construction with 2 x 2 pressure-treated wood nailers. 1 1/2" thick 3# density rigid insulation. Internal reinforcing. 3" x 3" built in cant. 1" mounting flange. 22ga. Galv. liner. All welds micro-sealed and prime painted after fabrication.

Added Options (When Required):

RPI Job #: -

Project: _____

Architect: _____



Qty.	I.D.	O.D.	T	Tag: