

RPC-3LBB1W (Structural) Roof Curb W/ Liner & One Way Burglar Bars

Standard Construction:

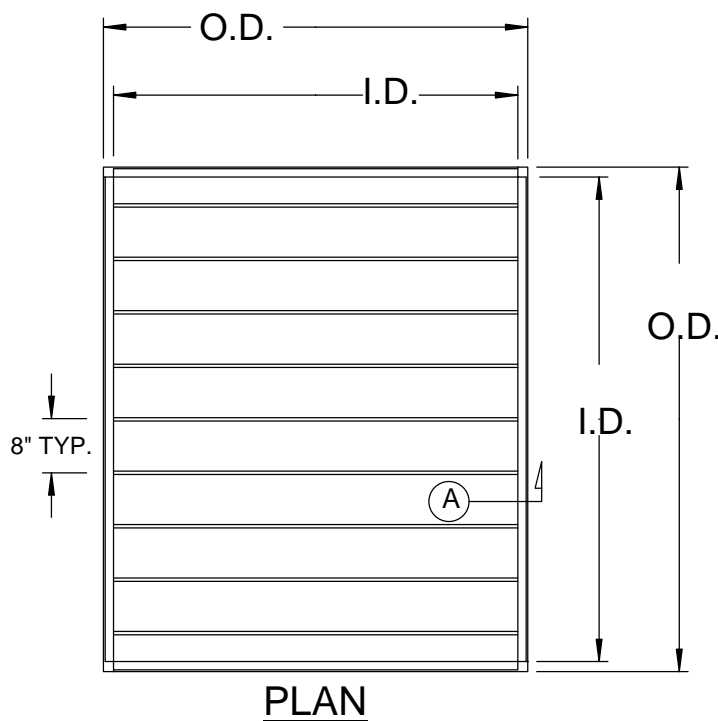
Roof Curb is: 18 ga. Galvanized steel construction with 2 X 2 pressure-treated wood nailers. 1 1/2" thick 3# density rigid insulation. Internal vertical reinforcing. 2" mounting flange. 18 ga. Galvaneal liner & baseplate. 1/2" Ø Burglar Bars 8" O.C. in one direction integral with curb. All welds micro-sealed and prime painted after fabrication.

Added Options:

RPI Job #: -

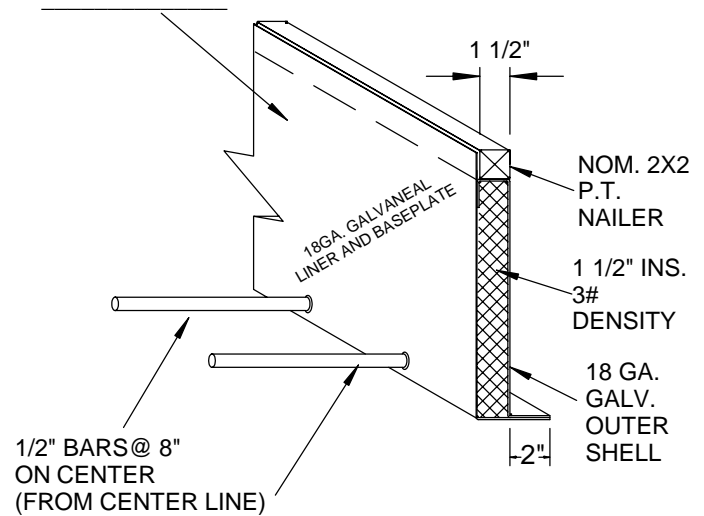
Project: _____

Architect: _____

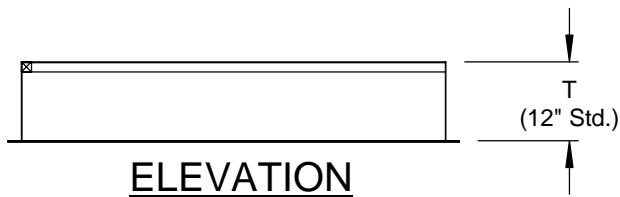


PLAN

* OPTIONAL:
PRIME PAINTED



SECTION - A (ISO)



ELEVATION

ONE PIECE CONSTRUCTION

Qty.	I.D.	O.D.	T	TAG: