

RPC-3DBB (Structural) Roof Curb With Damper Support & Burglar Bars

Standard Construction:

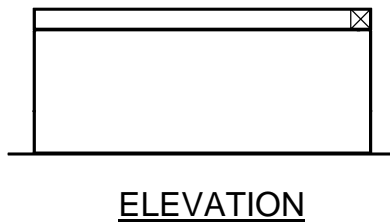
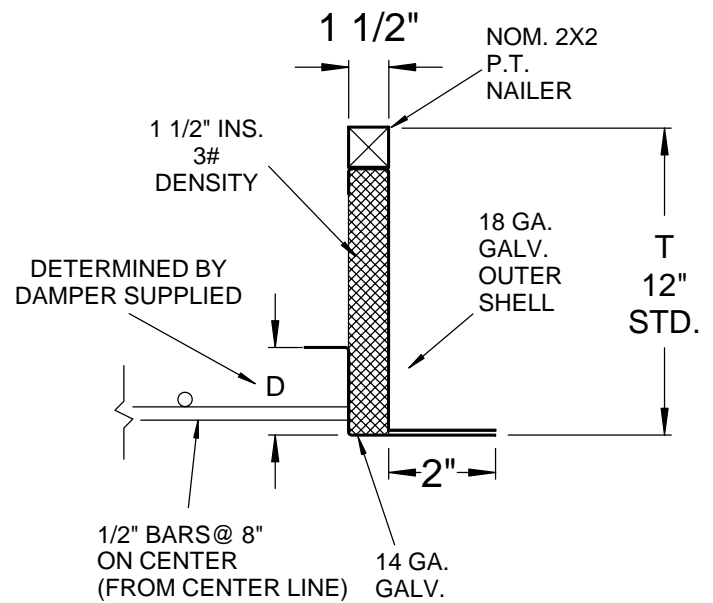
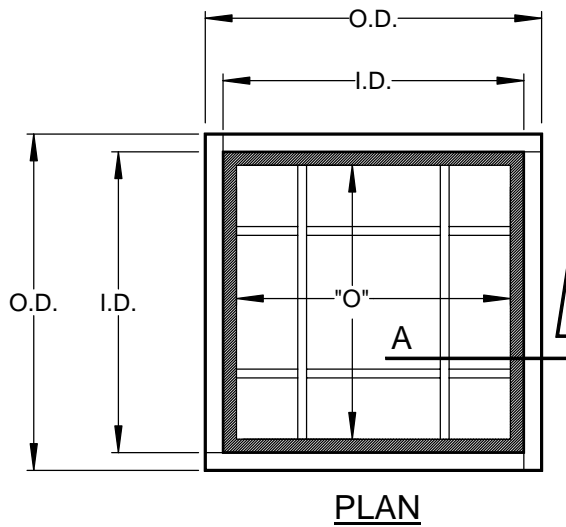
Roof Curb is: 18 ga. galvanized steel construction with 2 X 2 pressure-treated wood nailers. 1 1/2" thick 3# density rigid insulation. Internal vertical reinforcing. 2" mounting flange. Interior damper support. 1/2" Ø Burglar Bars 8" O.C. integral with curb. All welds micro-sealed and prime painted after fabrication.

Added Options:

RPI Job #: -

Project: _____

Architect: _____



Qty.	I.D.	O.D.	T	D	O	TAG: