

RPC-2BB1W (Structural) Roof Curb With One Way Burglar Bars

Standard Construction:

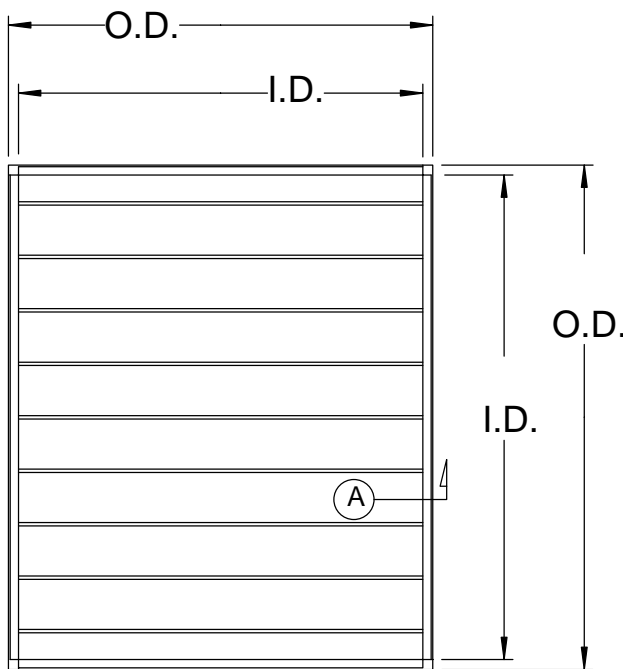
Roof Curb is: 18 ga. galvanized steel construction with 2 X 2 pressure-treated wood nailers. 1 1/2" thick 3# density rigid insulation. Internal vertical reinforcing. 1" mounting flange. 3" x 3" built in cant. 1/2" Ø Burglar Bars 8" O.C. in one direction integral with curb. All welds micro-sealed and prime painted after fabrication.

Added Options:

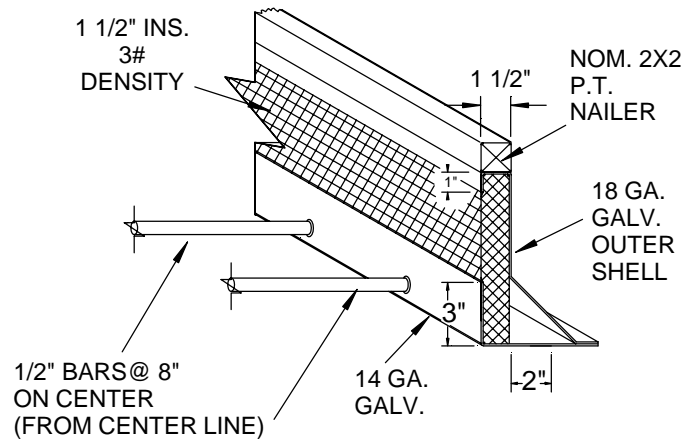
RPI Job #: -

Project: _____

Architect: _____



PLAN



SECTION - A (ISO)



ELEVATION

ONE PIECE CONSTRUCTION

Qty.	I.D.	O.D.	T	TAG: