

Model: RPPA Plenum Adapter

Standard Construction:

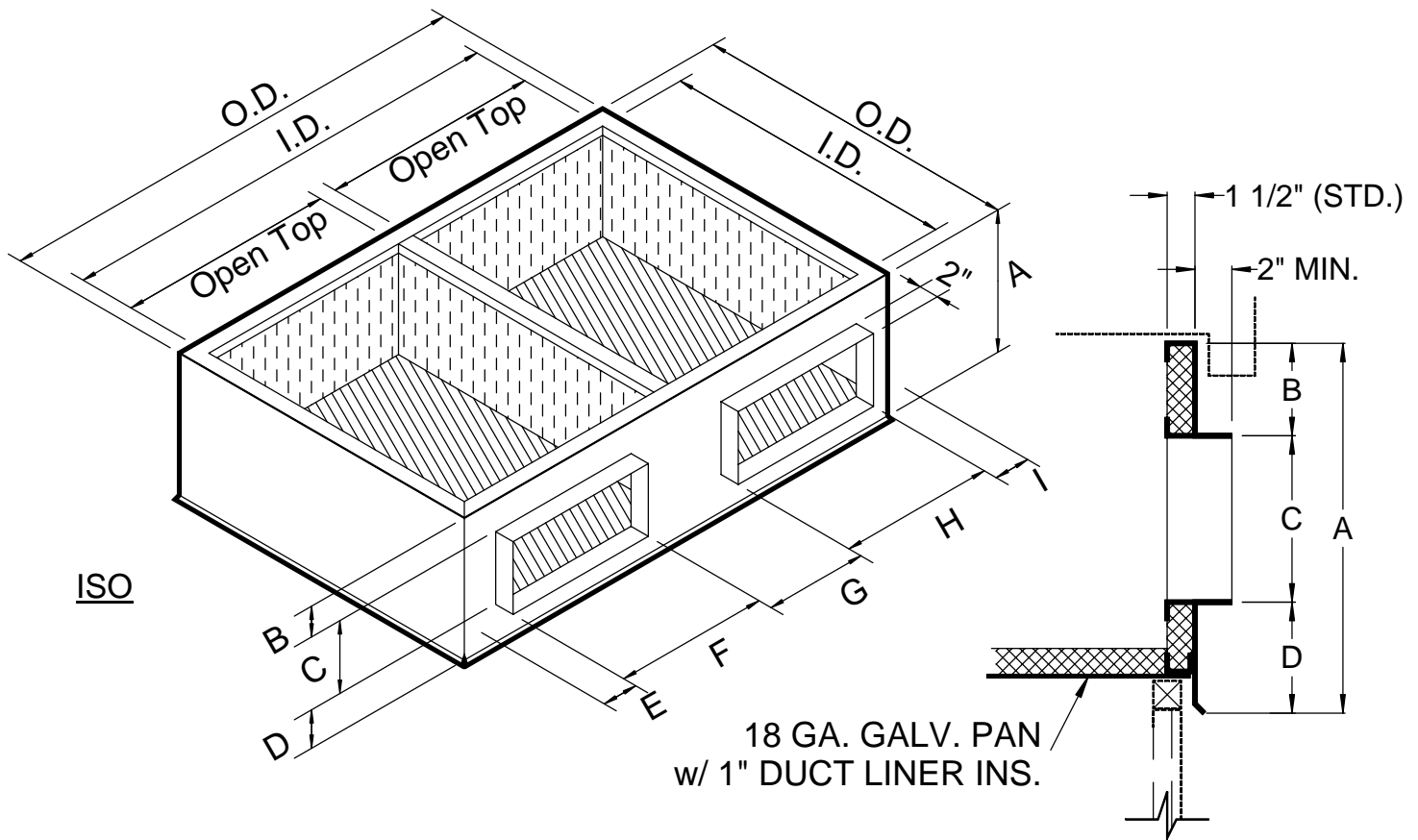
Min. 18ga. Galvanized steel construction with 1" duct liner insulation, glued and pinned. Full depth cross members, insulated bottom pan, and flanged duct openings as required. All welds micro-sealed and prime painted after fabrication.

Added Options (When Required):

RPI Job #: -

Project: _____

Architect: _____



Note: side discharge shown,
other configurations available.

A	B	C	D	E	F	G	H	I
Qty.	I.D.	O.D.	Tag:					